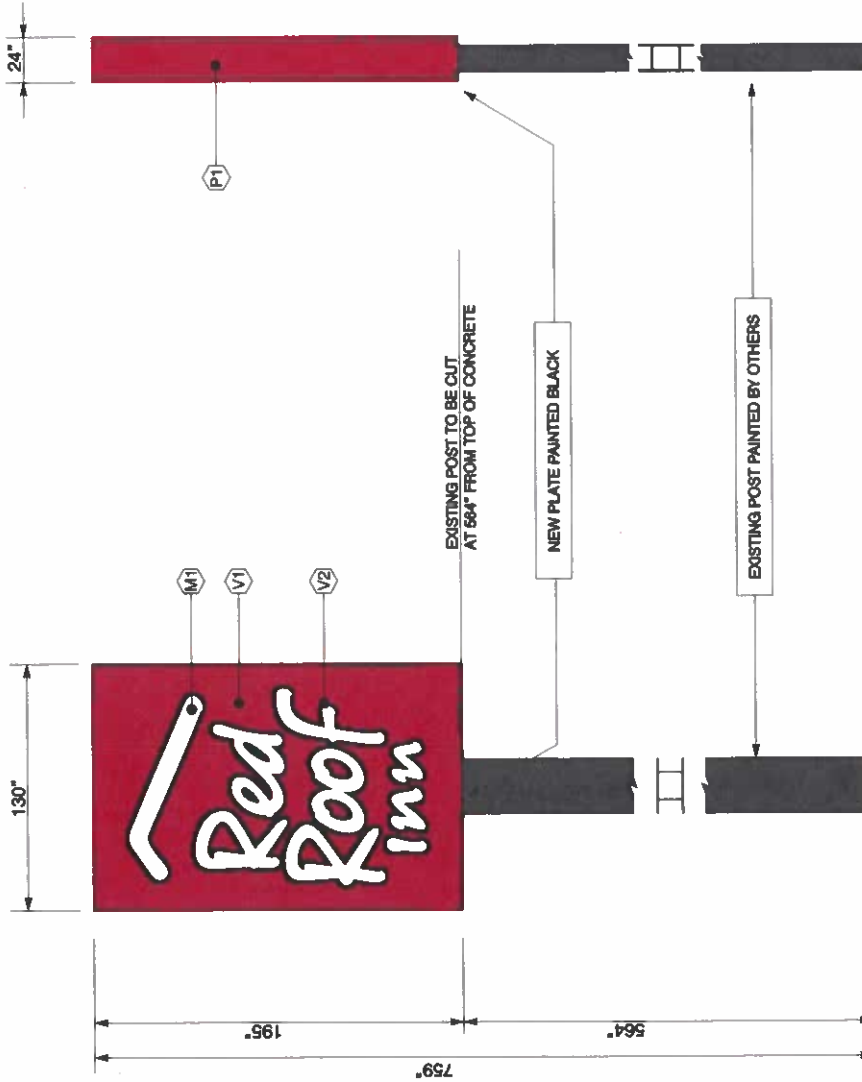


S1 17607-1



FRONT VIEW  
SCALE: 3/16" = 1'-0"

SIDE VIEW  
SCALE: 3/16" = 1'-0"

REVISIONS			
No.	DESCRIPTION	Int. Ver.	DATE
00	PERMIT	DC RM	22-01-12
01	PERMIT	DC RM	22-01-20
02	PERMIT	NL YS	22-06-27

REV. OUT-OF-LINE



EXISTING SIGNAGE

DO NOT CIRCULATE  
OR PUBLISH

**m.**  
4390, Highway 440 west  
South service road  
Laval (Quebec) H7Y 0H3  
Phone: 450-668-4888  
Fax: 450-668-8922

ACCOUNT EXEC.: FRANCOIS LUSSIER

PROJECT MANAGER: YI SUN

CLIENT: RED ROOF INN

6099 YOUNGERMAN CIR  
JACKSONVILLE, FL

PROPERTY CODE: RRI076

SITE/PROJECT: RED ROOF INN

6099 YOUNGERMAN CIR  
JACKSONVILLE, FL

TYPE OF PROJECT: EXISTING

TITLE: SURVEY

FILE: 17607\_1-PRM-R02

01

05

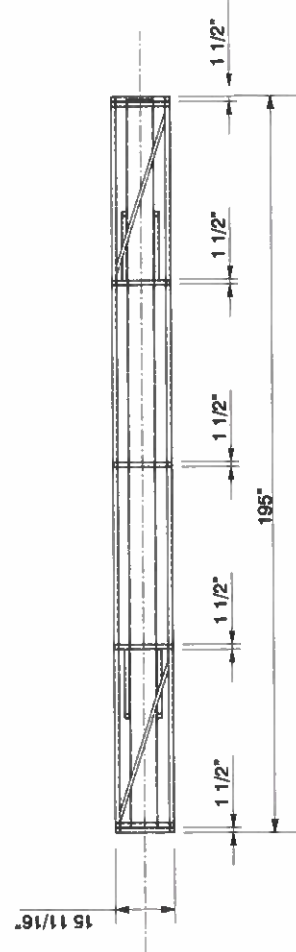
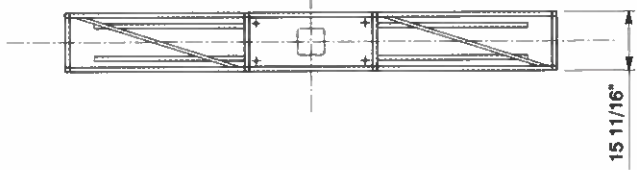
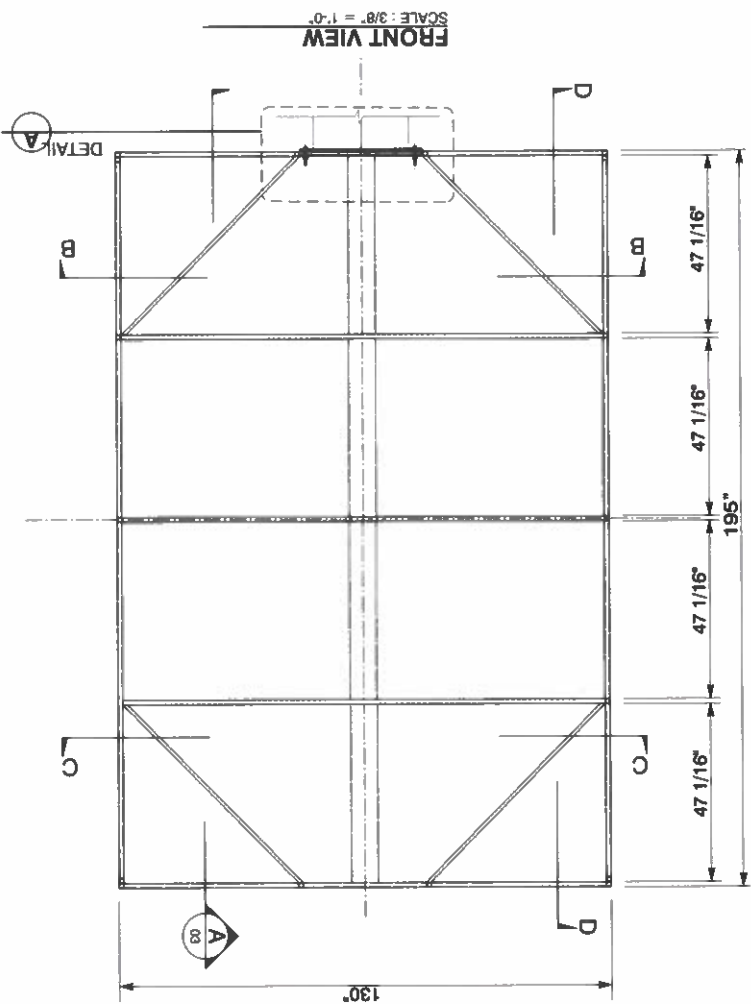
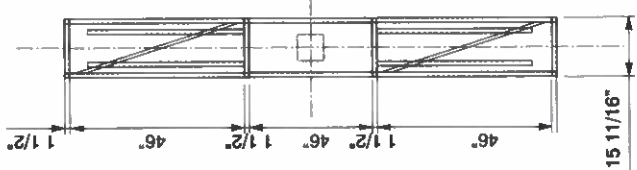
#	CLIENT COLOURS	PRODUCTION COLOURS	BY	FINISH
M1	WHITE	FLEXFACE	DC	TRANS
V1	PMS: 200C	3M 3630-83, REGAL RED	CLIENT	TRANS
V2	BLACK	3M BLACK 3600-22	DC	OPAQUE
P1	PMS: 200C	RED PMS 200C	CLIENT	SATIN

COLOURS PRINTED ON THIS DRAWING COULD BE DIFFERENT FROM THE REAL COLOURS

DRAWINGS MUST NOT PUBLISHED OR SHARED WITH ANY OTHER PERSON OR THIRD PARTY, WITHOUT WRITTEN CONSENT FROM M.N.S.

CONFIDENTIAL

S1 17607-1



REVISIONS		
No.	DESCRIPTION	Init. Ver. DATE
00	PERMIT	DC RM 22-01-12
01	PERMIT	DC RM 22-01-20
02	PERMIT	NL YS 22-06-27

REV. OUTLINE

DO NOT CIRCULATE OR PUBLISH

**M.**  
4350, Highway 440 West  
South service road  
Laval (Quebec) H7V 0H3  
Phone: 450-669-4888  
montreal@mc.ca Phone: 514-933-3333  
Fax: 450-669-1822

ACCOUNT EXEC.

PROJECT MANAGER

CLIENT

PROPERTY CODE

SITE/PROJECT

TYPE OF PROJECT

TITLE

FILE

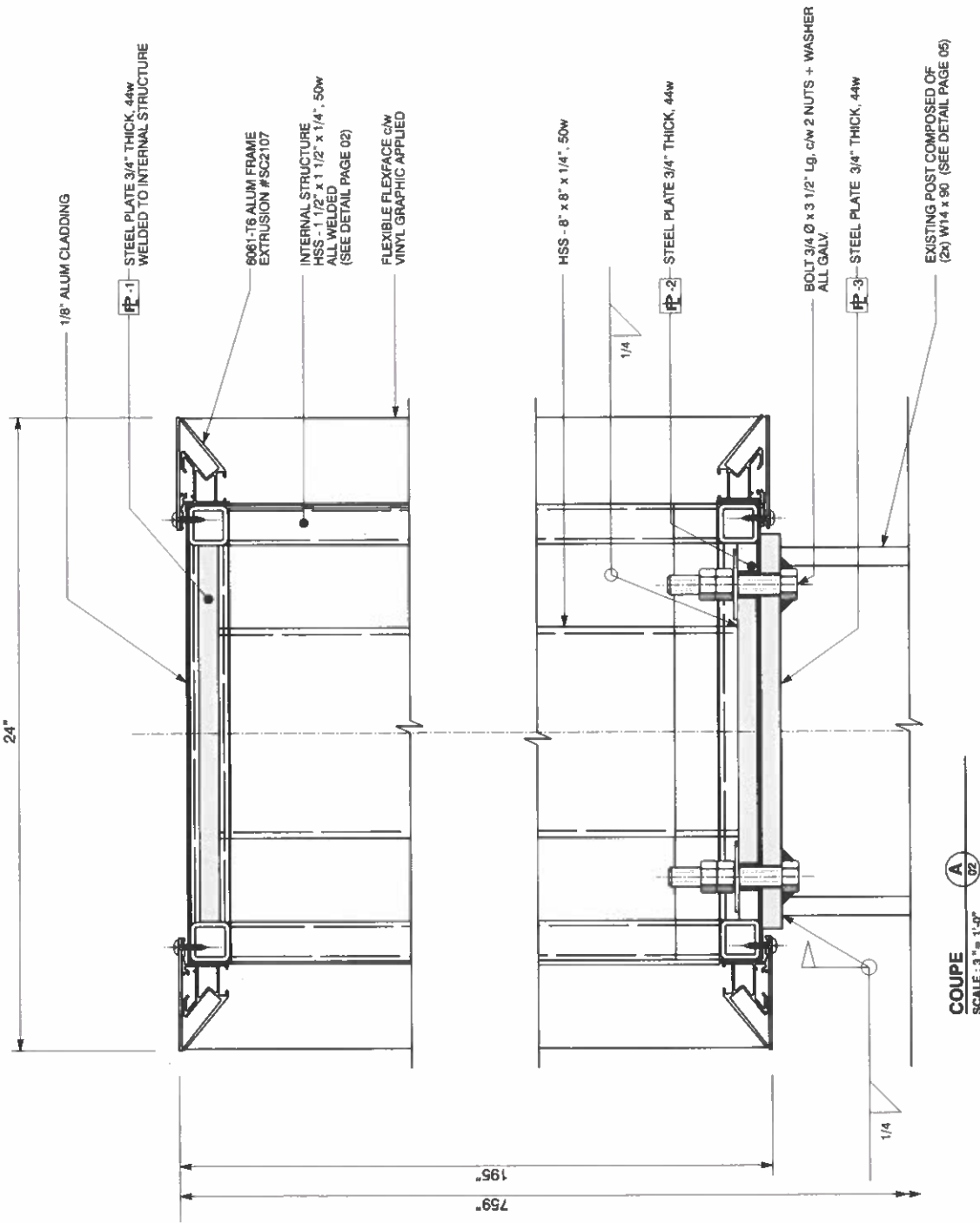
FRANCOIS LUSSIER  
Y1 SUN  
**RED ROOF INN**  
6089 YOUNGERMAN CIR  
JACKSONVILLE, FL  
RRI076  
**RED ROOF INN**  
6089 YOUNGERMAN CIR  
JACKSONVILLE, FL  
EXISTING  
SURVEY

17607\_1-PRM-R02  
02  
05

DRAWINGS MUST NOT PUBLISHED OR SHARED WITH ANY OTHER PERSON OR THIRD PARTY, WITHOUT WRITTEN CONSENT FROM M.N.S.

CONFIDENTIAL

S1 17607-1



COUPE  
SCALE: 3/8" = 1'-0"  
A  
02

REVISIONS				
No.	DESCRIPTION	Init.	Ver.	DATE
00	PERMIT	DC	RM	22-01-12
01	PERMIT	DC	RM	22-01-20
02	PERMIT	NL	YS	22-06-27

REV. OUT-OF-LINE

DO NOT CIRCULATE  
OR PUBLISH

**m**  
4130, Highway 440 west  
South service road  
Laval (Quebec) H7T 0H3  
mcdonald reynolds  
Phone: 450-668-4888  
Fax: 450-668-8822

www.mcdonaldreynolds.com

ACCOUNT EXEC.  
FRANCOIS LUSSIER

PROJECT MANAGER  
YI SUN

CLIENT  
RED ROOF INN

6089 YOUNGERMAN CIR  
JACKSONVILLE, FL

PROPERTY CODE  
RRI076

SITE/PROJECT  
RED ROOF INN

6089 YOUNGERMAN CIR  
JACKSONVILLE, FL

TYPE OF PROJECT  
EXISTING

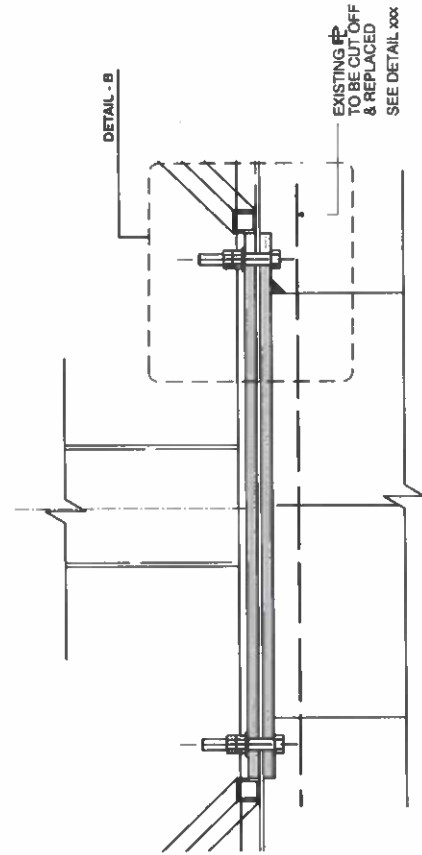
TITLE  
SURVEY

FILE  
17607\_1-PRM-R02

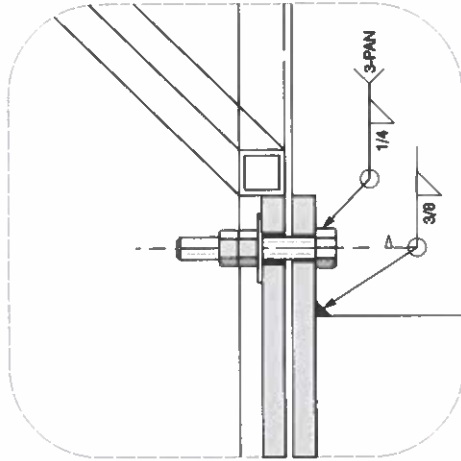
03  
05

CONFIDENTIAL: DRAWINGS MUST NOT PUBLISHED OR SHARED WITH ANY OTHER PERSON OR THIRD PARTY, WITHOUT WRITTEN CONSENT FROM M.N.S

S1 17607-1



DETAIL  
SCALE: 1"=12" = 1'-0"  
A 02



DETAIL  
SCALE: 3" = 1'-0"  
B

REVISIONS		
No.	DESCRIPTION	Int. Ver. DATE
00	PERMIT	DC RM 22-01-12
01	PERMIT REV	DC RM 22-01-20
02	PERMIT	NL YS 22-06-27

REV. CUT OFF LINE

**DO NOT CIRCULATE  
OR PUBLISH**

**M.**  
4130, Highway 440 West  
South service road  
Laval (Quebec) H7T 0H3  
Phone: 450-669-4888  
Fax: 450-669-8822

www.mrtirepair.com

ACCOUNT EXEC: FRANCOIS LUSSIER

PROJECT MANAGER: Y1 SUN

CLIENT: **RED ROOF INN**  
6099 YOUNGERMAN CIR  
JACKSONVILLE, FL

PROPERTY CODE: RR1076

SITE/PROJECT: **RED ROOF INN**  
6099 YOUNGERMAN CIR  
JACKSONVILLE, FL

TYPE OF PROJECT: **EXISTING**

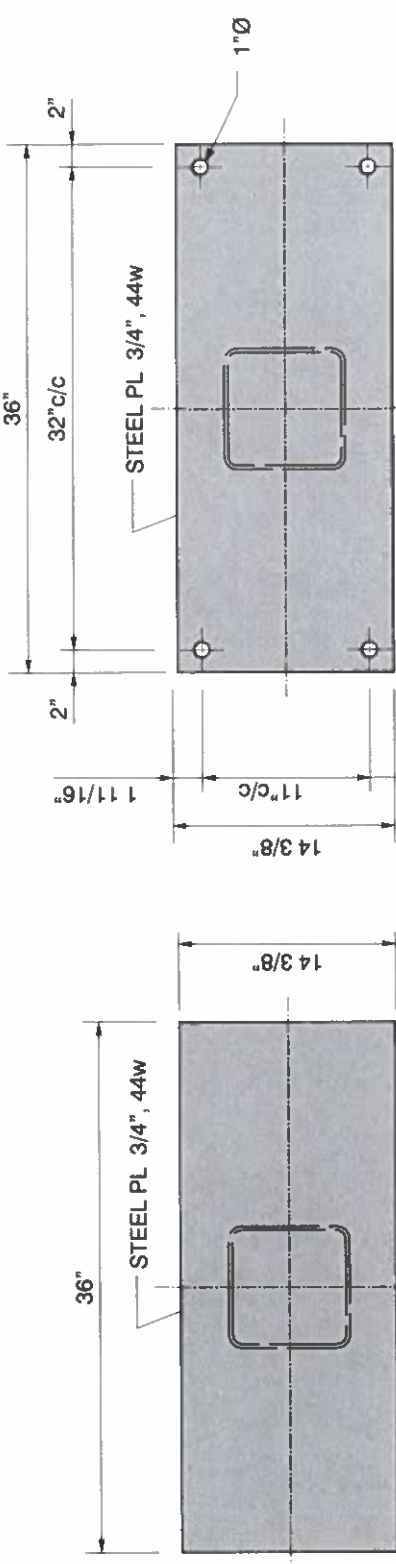
TITLE: **SURVEY**

FILE: **17607\_1-PRM-R02**

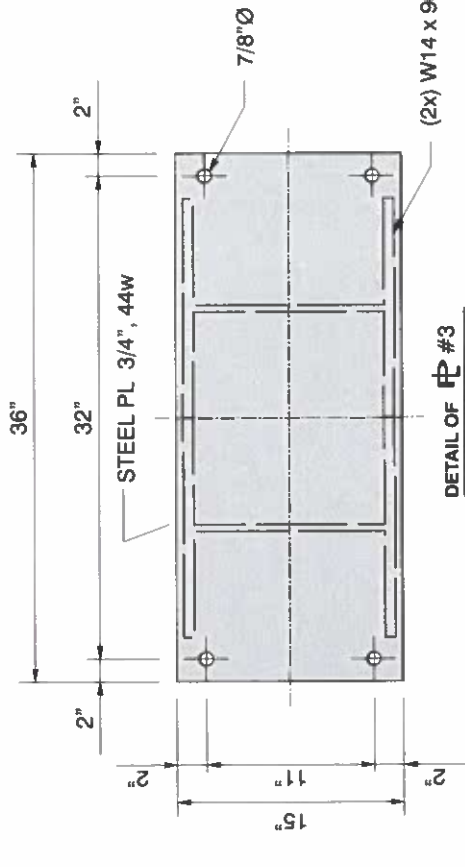
04  
05

**CONFIDENTIAL:** DRAWINGS MUST NOT BE PUBLISHED OR SHARED WITH ANY OTHER PERSON OR THIRD PARTY, WITHOUT WRITTEN CONSENT FROM M.N.S.

S1 17607-1



DETAIL OF P# #1  
SCALE: 1:1/2" = 1'-0"



DETAIL OF P# #2  
SCALE: 1:1/2" = 1'-0"

TOP VIEW  
SCALE: 1:1/2" = 1'-0"

(2x) W14 x 90 EXIST.

REVISIONS			
No.	DESCRIPTION	Int'l. Ver.	DATE
00	PERMIT	DC RM	22-01-12
01	PERMIT	DC RM	22-01-20
02	PERMIT	NL YS	22-06-27

REV. OUT OF LINE

DO NOT CIRCULATE OR PUBLISH

**m.**  
4130, Highway 440 West  
South service road  
Laval (Quebec) H7V 0H3  
Phone: 514-668-4888  
Fax: 514-668-1822

ACCOUNT EXEC:	FRANCOIS LUSSIER
PROJECT MANAGER:	YI SUN
CLIENT:	RED ROOF INN 6089 YOUNGERMAN CIR JACKSONVILLE, FL
PROPERTY CODE:	RR1076
SITE/PROJECT:	RED ROOF INN 6089 YOUNGERMAN CIR JACKSONVILLE, FL
TYPE OF PROJECT:	EXISTING
TITLE:	SURVEY
FILE:	17607_1-PRM-R02

05 05

DRAWINGS MUST NOT BE PUBLISHED OR SHARED WITH ANY OTHER PERSON OR THIRD PARTY, WITHOUT WRITTEN CONSENT FROM M I N S

CONFIDENTIAL

