



**CREATIVE SIGN DESIGNS**  
 12801 Commodity Place  
 Tampa, Florida 33626  
 Phone: 800-804-4809  
 Fax: 813-749-2311  
 www.creativesigndesigns.com

PROJECT:  
**The Avery**  
 Signage Package

SITE ADDRESS  
 Jacksonville, FL

Account Manager:  
 Logan Cottingham  
 Project Manager / Project Leader

CRM / Quote:  
**0000-203421**

Designer:	Date:
KF/DRB	08-17-2021

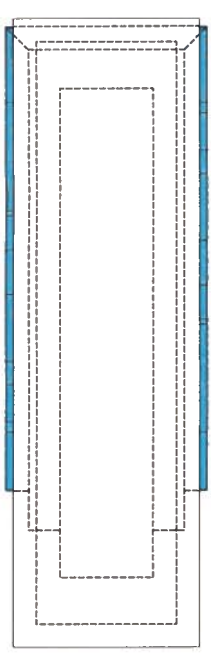
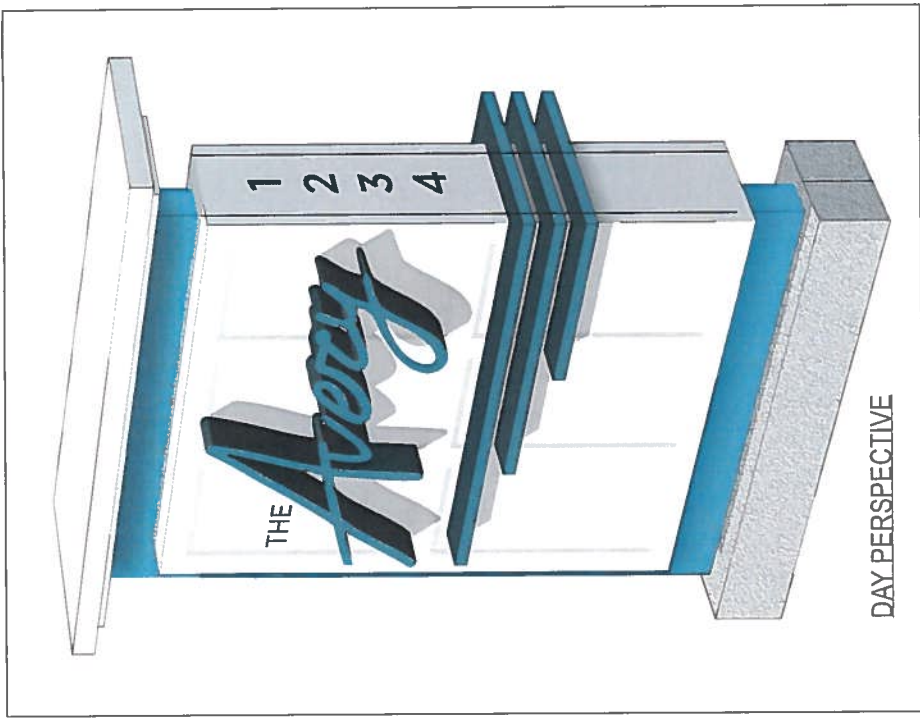
Revision:	No.	Date	Description
	01	0000017	-
	02		
	03		

Approval:  
 Approved  
 Approved as noted  
 Revise and resubmit

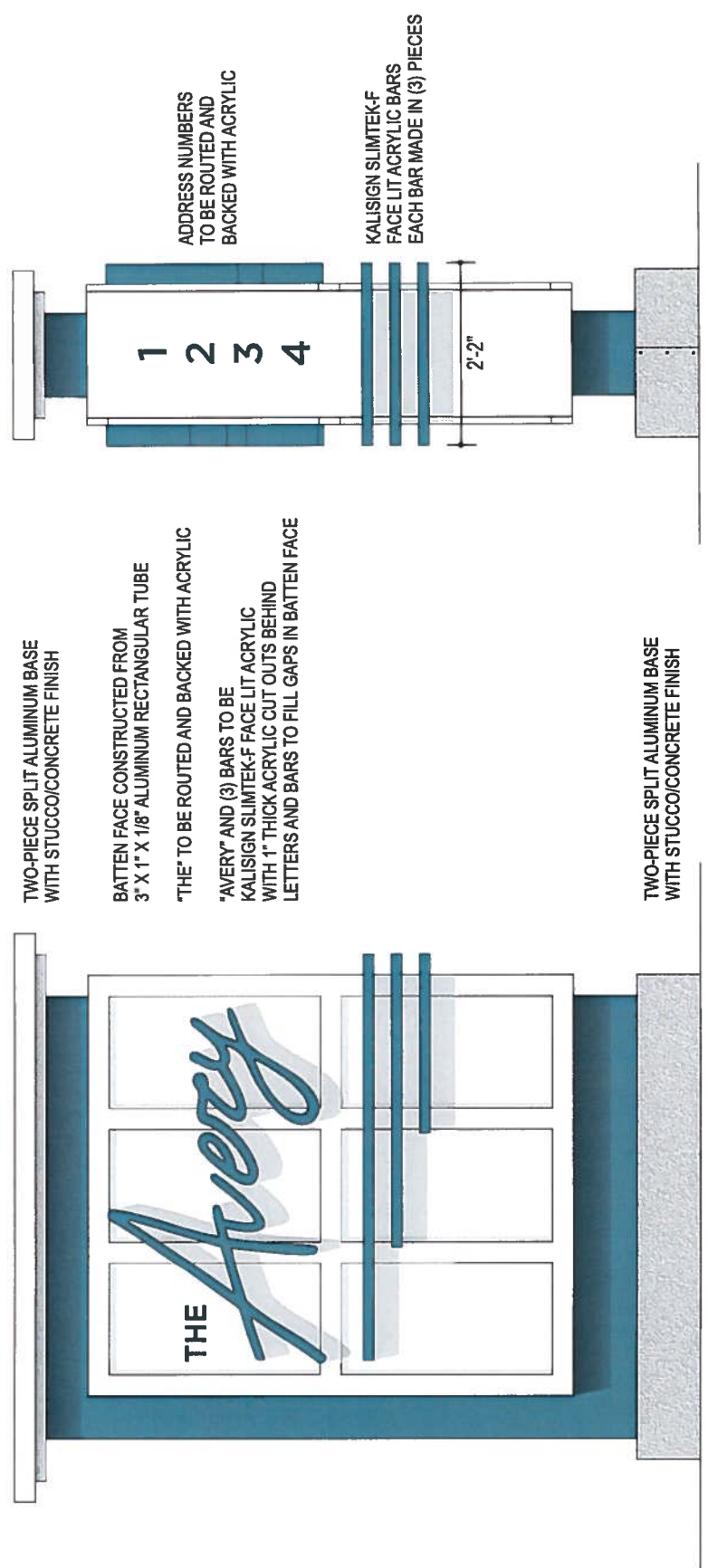
approved: etc.

This Drawing and all reproductions thereof are the property of Creative Sign Designs and may not be reproduced, stored, changed or used in any way without written consent.

Sheet: **2**



TOP VIEW



L-SIDE VIEW

**D/F Monument Sign with Illuminated Copy / Design Bars**  
**MNMT**  
 Scale: 1/2"=1'-0"



12801 Commodity Place  
Tampa, Florida 33626  
Phone: 800-804-4809  
Fax: 813-749-2311  
www.creativesigns.com

PROJECT:  
**The Avery**  
Signage Package

SITE ADDRESS  
Jacksonville, FL

CRM / Quote:  
**0000-203421**

Account Manager:  
Project Manager / Project Leader

Designer: KF/DRB  
Date: 08-17-2021

No.	Date	Description
01	0000/17	
02		
03		

Approval:  
 Approved  
 Approved as noted  
 Revise and resubmit  
 provided #4:



ALL ELECTRICAL COMPONENTS WILL BE UL 48 ELECTRIC...  
 THE INSTALLATION OF THE WORK WILL BE DONE AS PER NEC 652 AND DESIGNATED TO...  
 ALL SIGNS ARE TO BE GROUND AND BONDED PER NEC 602 AND 250.122.  
 ALL ELECTRICAL CONNECTIONS WILL BE PROVIDED PER NEC 605.1  
 ALL WIRING INSIDE LETTERING WILL BE LOW VOLTAGE UNDER UL SIGN ACCESSORIES MANUAL (SAM) E2004, LISTED AND APPROVED AS PER 2011 NEC 605.3  
 ALL ELECTRICAL WORK SHALL BE PERMITTED BY A LICENSED ELECTRICAL CONTRACTOR TO BE SUPPLIED BY CUSTOMER WITHIN SIX (6) FEET OF SIGN. ALL PRIMARY WIRING SHALL BE FIT WITH 1/2" DIA. HOLES PER NEC 605.4 (1) DESIGNATED 20 AMP CIRCUIT PER SIGN PER NEC 605.3

This Drawing and all reproductions thereof are the property of Creative Sign Designs and may not be reproduced, published, or otherwise distributed without written consent.

Sheet: **3**

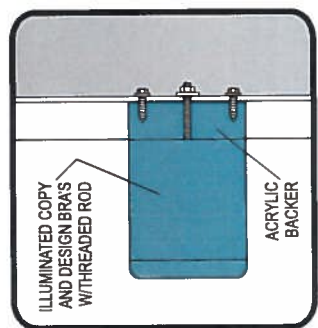
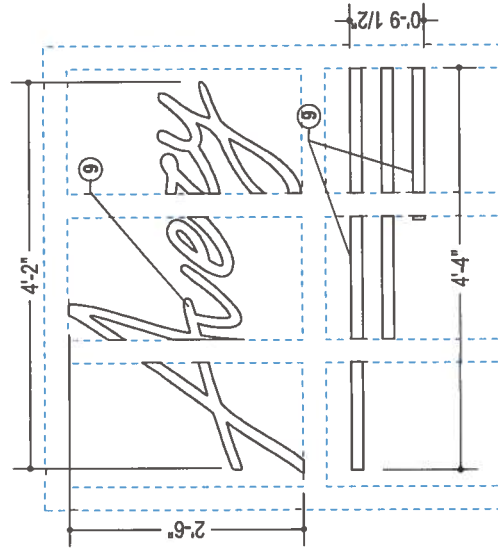
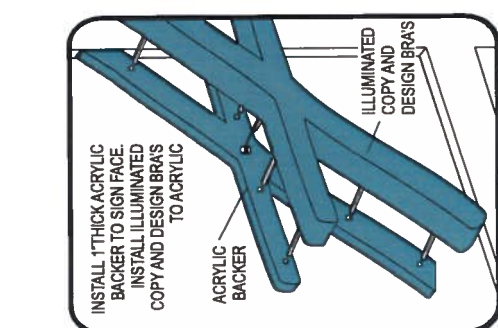
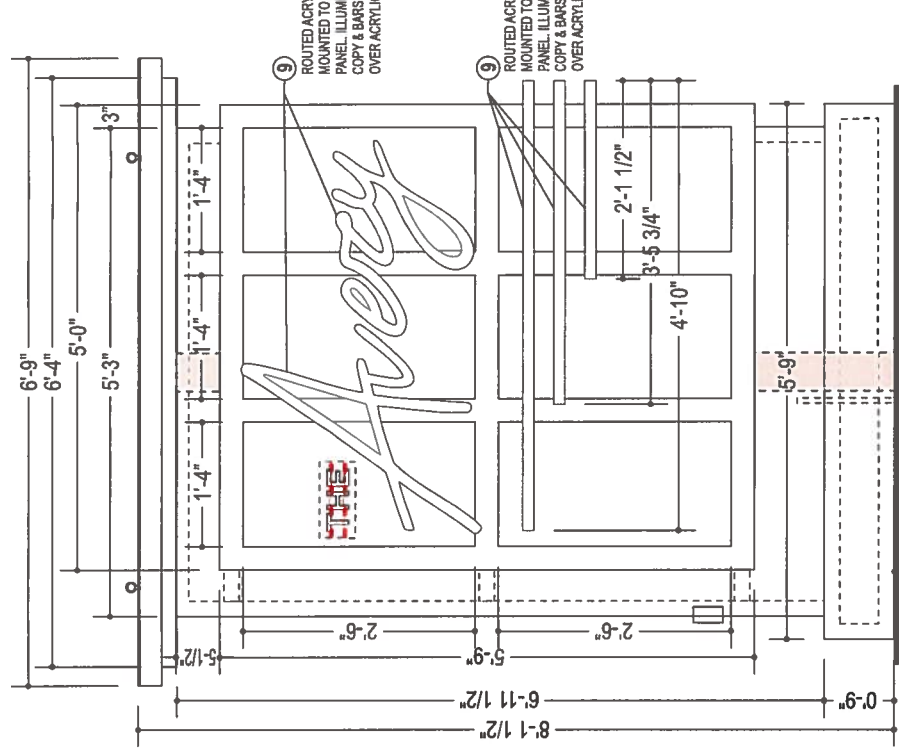
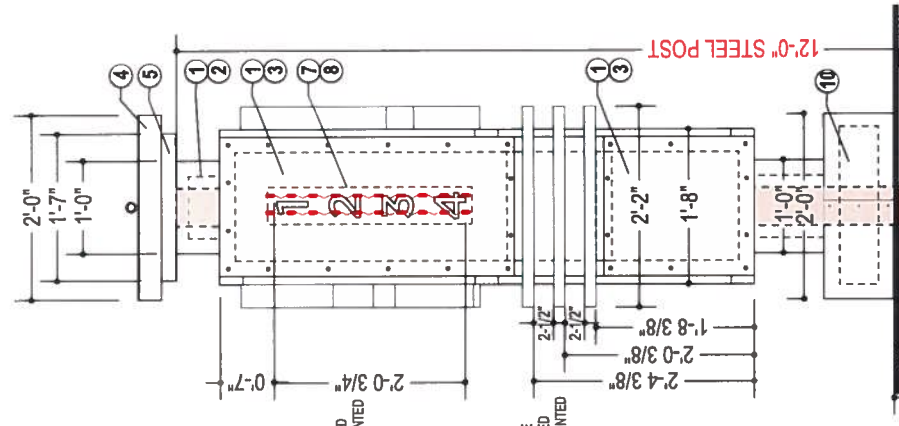
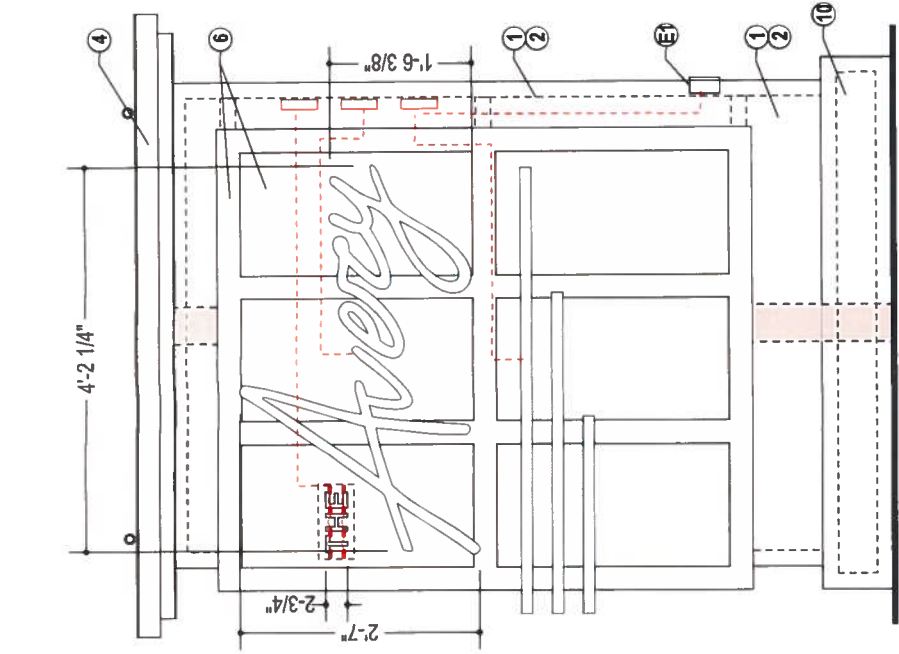
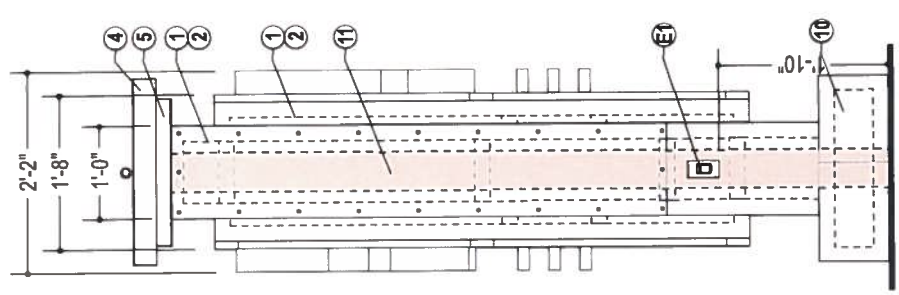
- Production Notes**
- 2" X 2" X 1/8" ALUM. ANGLE INNER FRAME
  - .063" ALUM. FILLER
  - 125" ALUM. FILLER
  - 3" X 3" X 1/8" ALUM. TRIM TOP CAP W/ ALUM. FILLER
  - 2" X 2" X 1/8" ALUM. TRIM TOP CAP W/ ALUM. FILLER
  - 1" X 3" X 1/8" ALUM. WELDED FACE FRAME W/ 125" ALUM. BACKER
  - 1/8" WHITE #7328 ACRYLIC BACKER -FOR COPY/ ADDRESS NUMBERS
  - .063" ALUM. WHITE/WHITE BACKER FOR LED'S
  - ROUTED 1" THICK ACRYLIC BACKER - PAINTED FOR ILLUMINATED COPY & DESIGN BAR'S
  - .080" ALUM. TWO-PART BASE COVER W/ ANGLE FRAME
  - 5/8" DIA. X .258" STEEL SUPPORT PIPE W/ 2" X 2" STEEL ANGLE SADDLE

**Paint Notes:**  
 All Painted Surfaces To Have Akzo Nobel Satin Paint  
 P1) MP 56851SP BLUE SMOKE  
 P2) MP 202SP WHITE  
 P3) PMS-COOL GRAY #2 W/ MED-STUCCO FINISH

**Vinyl Notes:**  
 V1) 3M TRANSLUCENT FILM-PRINTED TO MATCH MP 56851SP BLUE SMOKE OVER ACRYLIC BACKER  
**KALI SIGN LETTERS/BARS Notes:**  
 Slimtek-F - "Avery"- 31"x50.66"  
 Light effect: Front Light  
 Face: Vinyl/3M 3630 or Avery TF 4500  
 Side: Paint/Satin/(PMS or RAL code)  
 Back: Paint/Satin/(PMS or RAL code)  
 Slimtek-F - lines - 1.5"x58"  
 Light effect: Front Light  
 Face: Vinyl/3M 3630 or Avery TF 4500  
 Side: Paint/Satin/(PMS or RAL code)  
 Back: Paint/Satin/(PMS or RAL code)

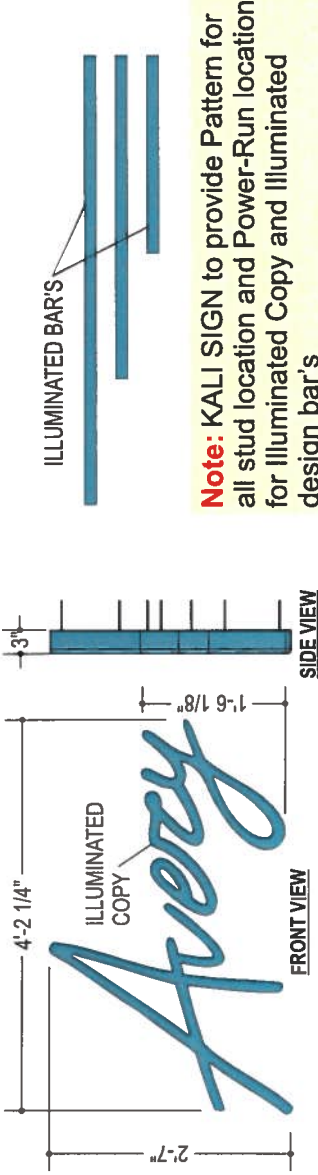
**Electrical Notes:**  
 NOTE: 120 Volt 20 Amp Primary Electric Circuit Supplied To Site By Buyer  
 E1) Electrical Disconnect Switch Box  
 E2) LED Power Supply  
 E3) White LED

**L.E.D. Notes:**  
 12 Volt  
 LED Type: Hanley/Phoenix PF-3120  
 Color: White 6500K  
 LED Modules: 28 Per-Side  
 Modules: 28 Per-Side  
 LED Power Source Type: MOD-60 Transformer  
 Volts: 12  
 Watts: 60  
 Power Supply Qty.: 1  
 Amp Input: .90 Ea  
 Total Amp Load: 90 Amps  
**REQUIRED 120V CIRCUITS: (1) 20 AMP**



**D/F Monument Sign / Illuminated Copy / Design Bars Detail**

Boxed Copy Area: 10.7 SQ.FT. Scale: 1/2"=1'-0"



**Note:** KALI SIGN to provide Pattern for all stud location and Power-Run location for Illuminated Copy and Illuminated design bar's

**Illuminated Copy / Design Bars Detail**

KALI SIGN LETTERS/BARS Scale: 1/2"=1'-0"



**Production Notes**

- 1) 2" X 2" X 1/8" ALUM. ANGLE INNER FRAME
- 2) .063" ALUM. FILLER
- 3) .125" ALUM. FILLER
- 4) 3" X 3" X 1/8" ALUM. TRIM TOP CAP W/ ALUM. FILLER
- 5) 2" X 2" X 1/8" ALUM. TRIM TOP CAP W/ ALUM. FILLER
- 6) 1" X 3" X 1/8" ALUM. WELDED FACE FRAME W/ .125" ALUM. BACKER
- 7) 1/8" WHITE #7328 ACRYLIC BACKER -FOR COPY/ ADDRESS NUMBERS
- 8) .063" ALUM. WHITE/WHITE BACKER FOR LED'S
- 9) ROUTED 1" THICK ACRYLIC BACKER - PAINTED FOR ILLUMINATED COPY & DESIGN BAR'S
- 10) .080" ALUM. TWO-PART BASE COVER W/ ANGLE FRAME
- 11) 5" DIA. X .258" STEEL SUPPORT PIPE W/ 2" X 2" STEEL ANGLE SADDLE

**Paint Notes:**

- All Painted Surfaces To Have Akzo Nobel Satin Paint
- P1) MP 56851SP BLUE SMOKE
  - P2) MP 202SP WHITE
  - P3) PMS-COOL GRAY #2 W/ MED-STUCCO FINISH

**Vinyl Notes:**

- V1) 3M TRANSLUCENT FILM-PRINTED TO MATCH MP 56851SP BLUE SMOKE OVER ACRYLIC BACKER

**KALI SIGN LETTERS/BARS Notes:**

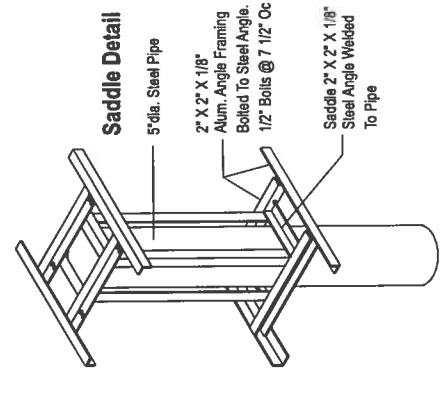
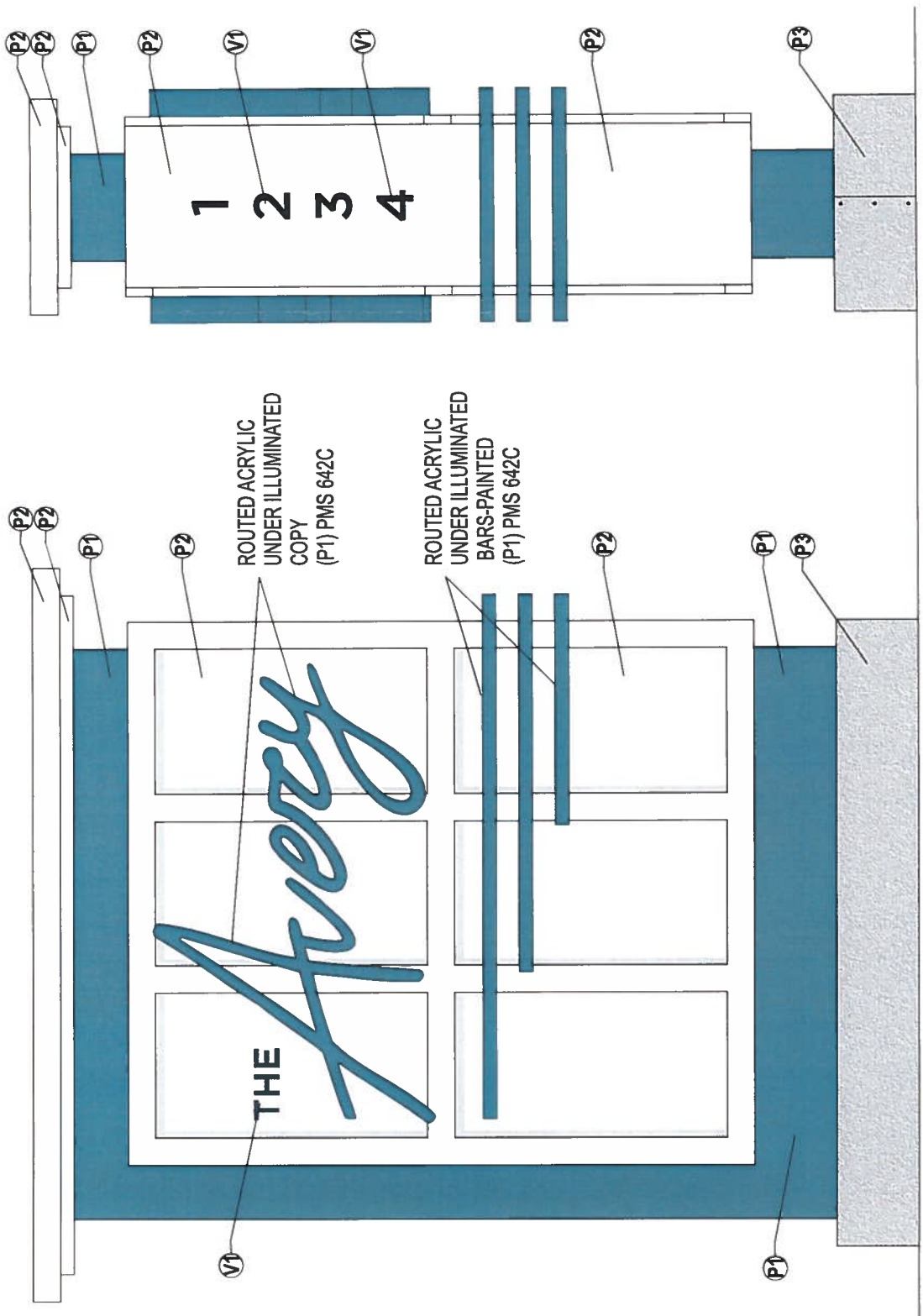
- Slimtek-F - "Avery"- 31" x 58.66"
- Light effect: Front Light
  - Face: Vinyl/3M 3630 or Avery TF 4500
  - Side: Paint/Satin/(PMS or RAL code)
  - Back: Paint/Satin/(PMS or RAL code)
- Slimtek-F - lines - 1.5" x 58"
- Light effect: Front Light
  - Face: Vinyl/3M 3630 or Avery TF 4500
  - Side: Paint/Satin/(PMS or RAL code)
  - Back: Paint/Satin/(PMS or RAL code)

**Electrical Notes:**

- NOTE: 120 Volt 20 Amp Primary Electric Circuit Supplied To Site By Buyer
- E1) Electrical Disconnect Switch Box
  - E2) LED Power Supply
  - E3) White LED

**L.E.D. Notes:**

12 Volt	Color:	White 6500K
LED Type:	Hanley/Phoenix PF-3120	Secondary
LED Modules:	Modules: 28 Per-Side	Volts
LED Power Source Type:	MOD-60 Transformer	Watts
Power Supply Qty.:	1	Amp Input: .90 Ea
<b>Total Amp Load: 90 Amps</b>		
<b>REQUIRED 120V CIRCUITS: (1) 20 AMP</b>		



12801 Commodity Place  
Tampa, Florida 33626  
Phone: 800-804-4809  
Fax: 813-749-2311  
www.creativesigns.com

PROJECT:  
**The Avery Signage Package**

SITE ADDRESS  
Jacksonville, FL

CRM / Quote:  
**0000-203421**

Account Manager:  
Project Manager / Project Leader

Designer: KFDRB  
Date: 08-17-2021

No.	Date	Description
01	00/00/17	
02		
03		

Approval:  
 Approved  
 Approved as noted  
 Revise and resubmit



ALL ELECTRICAL COMPONENTS WILL BE UL LISTED. E-COS  
WARRANTY IS VOID IF THE INSTALLATION OF THE WORKING  
IS NOT DONE AS PER NEC 400.4 AND DESIGNATED TO  
UL. ALL WORK SHALL BE TO BE GROUNDED AND BONDED  
PER NEC 400.1 AND 250.122.  
NEC 400.1  
NEC 400.3  
ALL WORKING IN THE LETTERING WILL BE LOW VOLTAGE  
UNDER UL SIGN ACCESSORIES MANUAL (SAMI) DATA,  
ILLUMINATED PER NEC 400.4 PER 2011 NEC 400.3  
PRIMARY ELECTRICAL SOURCE TO BE SUPPLIED BY  
CUSTOMER WITHIN SIX (6) FEET OF SIGN. ALL PRIMARY  
WIRING WILL BE #12 THIN WALL CABLE PER NEC 400.8 (1)  
(1) DESIGNATED 20 AMP CIRCUIT PER 50A PER NEC 400.3

This Drawing and all reproductions thereof are the property of Creative Sign Designs and may not be reproduced, stored, or transmitted in any way without written consent.

Sheet: **4**