

Date Submitted:
Date Filed:

Application Number:
Public Hearing:

Application for Sign Waiver
City of Jacksonville, Florida
Planning and Development Department

Please type or print in ink. Instructions regarding the completion and submittal of this application are located at the end of this form. For additional information, please contact the Planning and Development Department at (904) 255-7865.

For Official Use Only		
Current Zoning District:	Current Land Use Category:	
Council District:	Planning District:	
Previous Zoning Applications Filed (provide application numbers):		
Applicable Section of Ordinance Code:		
Notice of Violation(s):		
Neighborhood Associations:		
Overlay:		
LUZ Public Hearing Date:	City Council Public Hearing Date:	
Number of Signs to Post:	Amount of Fee:	Zoning Asst. Initials:

PROPERTY INFORMATION	
1. Complete Property Address:	2. Real Estate Number:
3. Land Area (Acres):	4. Date Lot was Recorded:
5. Property Located Between Streets:	6. Utility Services Provider: City Water / City Sewer <input type="checkbox"/> Well / Septic <input type="checkbox"/>

7. Waiver Sought:

- Increase maximum height of sign from _____ to _____ feet (maximum request 20% or 5 ft. in height, whichever is less). **Note – Per Section 656.1310, no waiver shall be granted which would permit a sign in excess of 40 feet in height in any zoning district.*
- Increase maximum size of sign from _____ sq. ft. to _____ sq. ft. (maximum request 25% or 10 sq. ft., whichever is less)
- Increase number of signs from _____ to _____ (not to exceed maximum square feet allowed)
- Allow for illumination or change from _____ external to _____ internal lighting
- Reduce minimum setback from _____ feet to _____ feet (less than 1 ft. may be granted administratively)

8. In whose name will the Waiver be granted?

9. Is transferability requested? *If approved, the waiver is transferred with the property.*

- Yes
- No

OWNER'S INFORMATION (please attach separate sheet if more than one owner)

10. Name:	11. E-mail:
12. Address (including city, state, zip):	13. Preferred Telephone:

APPLICANT'S INFORMATION (if different from owner)

14. Name:	15. E-mail:
16. Address (including city, state, zip):	17. Preferred Telephone:

CRITERIA

Section 656.1310, Ordinance Code, sets forth procedures and criteria for evaluating waivers of the Part 13 sign regulations. Section 656.1302 of the Ordinance Code defines a sign as *“a painting, structure, projected image or device which is placed, erected, constructed or maintained on or in the ground or water, or on or outside of an enclosed building, boat, ship, vessel or other object or structure or affixed or painted on or inside an exterior window of a building for the purpose of display, information, advertisement or attraction of the attention of persons, including posters, pictures, pictorial or reading matter and a letter, word, model, device or representation used in the nature of an advertisement, announcement, attraction or direction.”*

Section 656.133(c)1 through 10, Ordinance Code, provides that, with respect to action upon Applications for Sign Waivers, the City Council shall grant a waiver only if substantial competent evidence exists to support a positive finding based on each of the following criteria as applicable:

1. *Will the effect of the sign waiver be compatible with the existing contiguous signage or zoning and consistent with the general character of the area considering population, density, scale, and orientation of the structures in the area?*
2. *Would the result detract from the specific intent of the zoning ordinance by promoting the continued existence of nonconforming signs that exist in the vicinity?*
3. *Could the effect of the proposed waiver diminish property values in, or negatively alter the aesthetic character of the area surrounding the site, and could such waiver substantially interfere with or injure the rights of others whose property would be affected by the same?*
4. *Would the waiver have a detrimental effect on vehicular traffic or parking conditions, or result in the creation of objectionable or excessive light, glare, shadows or other effects, taking into account existing uses and zoning in the vicinity?*
5. *Is the proposed waiver detrimental to the public health, safety or welfare, or could such waiver result in additional public expense, creation of nuisances, or cause conflict with any other applicable law?*
6. *Does the subject property exhibit specific physical limitations or characteristics, which would be unique to the site and which would make imposition of the strict letter of the regulation unduly burdensome?*
7. *Is the request based exclusively upon a desire to reduce the costs associated with compliance and is the request the minimum necessary to obtain a reasonable communication of one’s message?*
8. *Is the request the result of a violation that has existed for a considerable length of time without receiving a citation and if so, is the violation that exists a result of construction that occurred prior to the applicant’s acquiring the property, not being a direct result of the actions of the current owner?*
9. *Does the request accomplish a compelling public interest such as, for example, furthering the preservation of natural resources by saving a tree or trees?*
10. *Would strict compliance with the regulation create a substantial financial burden when considering the cost of compliance?*

- 1.) Will the effect of the sign waiver be compatible with the existing contiguous signage or zoning and consistent with the general character of the area considering population, density, scale, and orientation of the structures in the area?
 - a. The proposed sign for this location will be compatible with the intent of chapter and other surrounding developments in this district within its own corridor as well as others that hold the same zoning designation in the City.

- 2.) Would the result detract from the specific intent of the zoning ordinance by promoting the continued existence of nonconforming signs that exist in the vicinity?
 - a. We do not believe approval of this variance would perpetuate the existence of nonconforming signage nor set a precedent for nonconforming signage. The make-up of this site is unique and as such a waiver should be deemed necessary for proper visibility.

- 3.) Could the effect of the proposed waiver diminish property values in, or negatively alter the aesthetic character of the area surrounding the site, and could such waiver substantially interfere with or injure the rights of others whose property would be affected by the same?
 - a. We do not believe the sign waiver will diminish property value for the site in question or other sites. The proposed sign is for a multifamily development that is built to hold the number of future residents that are moving to the area. The development is built with upscale finishes and appearance to enhance the surrounding area. The use of this development is in likeness of the surrounding area with mostly residential uses neighboring the community.

- 4.) Would the waiver have a detrimental effect on vehicular traffic or parking conditions, or result in the creation of objectionable or excessive light, glare, shadows or other effects, taking into account existing uses and zoning in the vicinity?
 - a. We do not believe that proposing lighting within our sign will result in excessive lighting or a life safety. The only features that will be lit on the sign is the name of the development – “The Avery” and 3 accent lighting bars under the copy. The colors and lighting were featured from the architecture of the development. The overall size of the lighted component are approximately 16 SF. With this sign being the only one on the property and located at the single entrance to the development, it is vital not only for residents, but new tenants and

18. Given the above definition of a "sign" and the aforementioned criteria by which the request will be reviewed against, please describe the reason that the waiver is being sought. Provide as much information as you can; you may attach a separate sheet if necessary. Please note that failure by the applicant to adequately substantiate the need for the request and to meet the criteria set forth may result in a denial.

The owner and applicant are seeking () variances from Chapter 13 for lighting of a monument ground sign to a multi-family development - "The Avery." The sign is proposed to directly abut the property line at the entrance of the site.

The sign is also proposed to light the copy "The Avery" and (3) decorative bars under the copy. We believe that due to the setback of the sign and the size of the copy, it is vital for the sign, specifically the name of the development to be lit. The overall size of the lighted component are approximately 16 SF. With this sign being the only one on the property and located at the single entrance to the development, it is vital not only for residents, but new tenants and visitors to accurately find the location. The proposed lighting has been designed to enhance the overall appearance of the sign and is only proposed to be .3 footcandles.

ATTACHMENTS

The following attachments must accompany each copy of the application.

- Survey
- Site Plan – two (2) copies on 8 ½ x 11 and two (2) copies on 11 x 17 or larger
- Property Ownership Affidavit (Exhibit A)
- Agent Authorization if application is made by any person other than the property owner (Exhibit B)
- Legal Description – may be written as either lot and block, or metes and bounds (Exhibit 1)
- Proof of property ownership – may be print-out of property appraiser record card if individual owner, http://apps.coj.net/pao_propertySearch/Basic/Search.aspx, or print-out of entry from the Florida Department of State Division of Corporations if a corporate owner, <http://search.sunbiz.org/Inquiry/CorporationSearch/ByName>.
- Photographs of sign structure showing nonconforming nature and physical impediments to compliance.
- If waiver is based on economic hardship, applicant must submit the following:
 - Two (2) estimates from licensed contractors stating the cost of bringing the sign structure into compliance; and
 - Any other information the applicant wished to have considered in connection to the waiver request.

FILING FEES

*Applications filed to correct existing zoning violations are subject to a double fee.

<u>Base Fee</u>	<u>Public Notices</u>	<u>Advertisement</u>
Residential Districts: \$1,161.00	\$7.00 per Addressee	Billed directly to owner/agent
Non-residential Districts: \$1,173.00		

NOTE: City Council may, as a condition of the waiver, specify a time period within which the sign structure shall be required to conform to the requirements of the City's sign regulations.

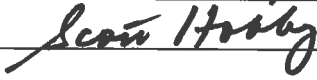
AUTHORIZATION

Please review your application. No application will be accepted until all of the requested information has been supplied and the required fee has been paid. The acceptance of an application as being complete does not guarantee its approval by the City Council. The owner and/or authorized agent must be present at the public hearing.


The required public notice signs must be posted on the property within five (5) working days after the filing of this application. Sign(s) must remain posted and maintained until a final determination has been made on the application.

I hereby certify that I have read and understand the information contained in this application, that I am the owner or authorized agent for the owner with authority to make this application, and that all of the information contained in this application, including the attachments, is true and correct to the best of my knowledge.

Owner(s)

Print name: SCOTT HOBBY
Signature: 

Applicant or Agent (if different than owner)

Print name: Addie Mentry
Signature: 

**An agent authorization letter is required if the application is made by any person other than the property owner.*

Owner(s)

Print name: _____
Signature: _____

SUBMITTAL

This application must be typed or printed in ink and submitted along with three (3) copies for a total of **four (4) applications**. Each application must include **all required attachments**.

Submit applications to:

Planning and Development Department, Zoning Section
214 North Hogan Street, 2nd Floor
Jacksonville, Florida 32202
(904) 255-8300

Property Ownership Affidavit – Limited Liability Company (LLC)

Date: _____

City of Jacksonville
Planning and Development Department
214 North Hogan Street, Suite 300,
Jacksonville, Florida 32202

Re: Property Owner Affidavit for the following site location in Jacksonville, Florida:

Address: 14200 Duval Rd. RE#(s): 019366, 019373, 019659
Jacksonville, FL 32218

To Whom it May Concern:

I SCOTT HOBBY, as VP of Duval MF Partners LLC
a Limited Liability Company organized under the laws of the state of Florida, hereby certify
that said LLC is the Owner of the property described in Exhibit 1 in connection with filing application(s)
for sign waiver submitted to the Jacksonville Planning and Development
Department.

(signature) Scott Hobby

(print name) SCOTT HOBBY

Please provide documentation illustrating that signatory is an authorized representative of the LLC. This may be shown through a printout from sunbiz.org showing that the person is either a "sole member" or a "managing member." Other persons may be authorized through a resolution, power of attorney, etc.

**STATE OF FLORIDA
COUNTY OF DUVAL**

Sworn to and subscribed and acknowledged before me by means of physical presence or online notarization, this 11 day of February, 2022, by Scott Hobby, as VP, of Duval MF Partners, a limited liability corporation, who is personally known to me or who has produced _____ as identification and who took an oath.

Tiffany Gayton
(Signature of NOTARY PUBLIC)

Tiffany Gayton
(Printed name of NOTARY PUBLIC)

State of Florida at Large.
My commission expires: 12/26/22



Agent Authorization – Limited Liability Company (LLC)

Date: _____

City of Jacksonville
Planning and Development Department
214 North Hogan Street, Suite 300,
Jacksonville, Florida 32202

Re: Agent Authorization for the following site location in Jacksonville, Florida:

Address: 14200 Duval Rd. RE#(s): 019366, 019373, 019659
Jacksonville FL 32218

To Whom It May Concern:

You are hereby advised that SCOTT HOBBY, as Via president of Duval MF Partners, LLC, hereby certify that the ML is the Owner of the property described in Exhibit 1. Said owner hereby authorizes and empowers Addie Mentry to act as agent to file application(s) for sign waiver for the above referenced property and in connection with such authorization to file such applications, papers, documents, requests and other matters necessary for such requested change as submitted to the Jacksonville Planning and Development Department.

(signature) Scott Hobby

(print name) SCOTT HOBBY

**STATE OF FLORIDA
COUNTY OF DUVAL**

Sworn to and subscribed and acknowledged before me by means of physical presence or online notarization, this 11 day of February 2022, by Scott Hobby, as VP, of Duval MF Partners, a limited liability corporation, who is personally known to me or who has produced _____ as identification and who took an oath.

Tiffany Gayton
(Signature of NOTARY PUBLIC)

Tiffany Gayton
(Printed name of NOTARY PUBLIC)

State of Florida at Large.
My commission expires: 12/26/22



DUVAL ROAD



12801 Commodity Place
Tampa, Florida 33626
Phone: 800-804-4809
Fax: 813-749-2311
www.creativesigndesigns.com

PROJECT:

**The Avery
Signage Package**

SITE ADDRESS

Jacksonville, FL

CRM / Quote:
0000-203421

Account Manager:

Project Manager / Project Leader

Designer: KF/DRB

Date: 08-17-2021

Revision:

No. Date Description

01 0000017 -

02 -

03 -

Approval:

- Approved
- Approved as noted
- Revise and resubmit

Approved:
 etc.

This Drawing and all reproductions thereof are the property of Creative Sign Designs and may not be reproduced, published, or otherwise distributed without written consent.

Sheet: **1**

9'-11 1/8" 9'-11 3/8"

DUVAL ROAD

RECREATION AREA 1

18'-10 7/8"

45'-2"

SWMF-1 (0.07 AC)

BUILDING 1

BUILDING 2

BUILDING 3

BUILDING 4

BUILDING 5

BUILDING 6

BUILDING 7

BUILDING 8

BUILDING 9

SWMF-2 (0.60 AC)

SWMF-3 (0.47 AC)

RECREATION AREA 2

DUVAL PLACE WEST

SWMF-4 (0.74 AC)

437'-0 1/2"

18'-0 1/2"

18'-0 1/2"

18'-0 1/2"

18'-0 1/2"

18'-0 1/2"

18'-0 1/2"

18'-0 1/2"

18'-0 1/2"

18'-0 1/2"

18'-0 1/2"

18'-0 1/2"

18'-0 1/2"

18'-0 1/2"

18'-0 1/2"

18'-0 1/2"

18'-0 1/2"

18'-0 1/2"

18'-0 1/2"

18'-0 1/2"

18'-0 1/2"

18'-0 1/2"

18'-0 1/2"

18'-0 1/2"

18'-0 1/2"

18'-0 1/2"

SCALE 1/128"=1"



CREATIVE SIGN DESIGNS
 12801 Commodity Place
 Tampa, Florida 33626
 Phone: 800-804-4809
 Fax: 813-749-2311
 www.creativesigndesigns.com

PROJECT:

The Avery Signage Package

SITE ADDRESS
 Jacksonville, FL

CRM / Quote:
0000-203421

Account Manager:
 Logan Cottingham
 Project Manager / Project Leader

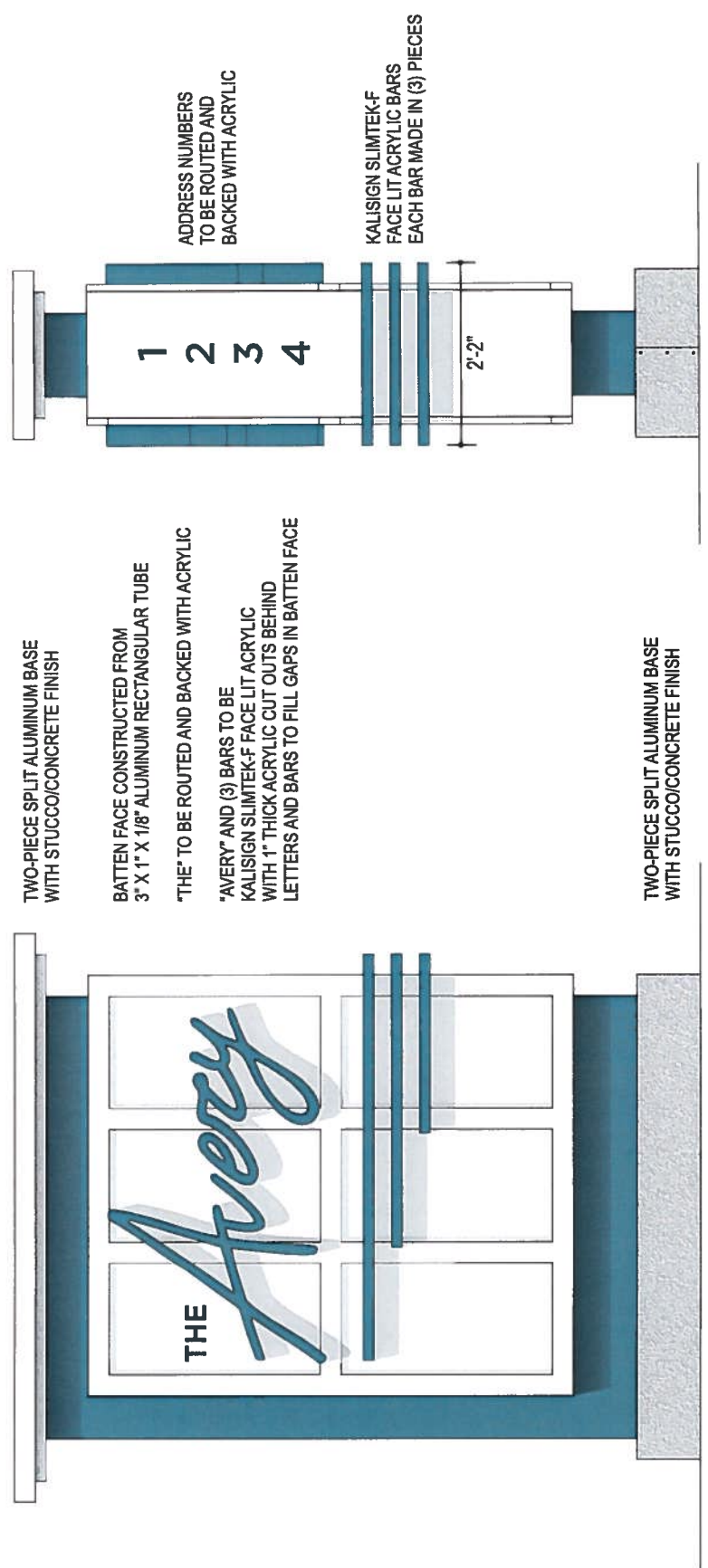
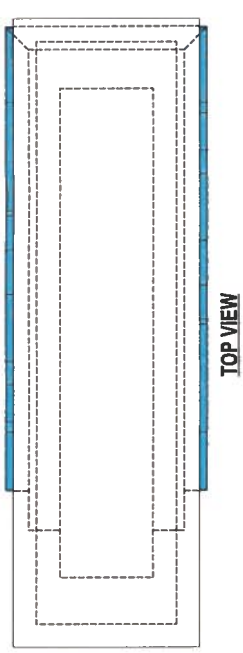
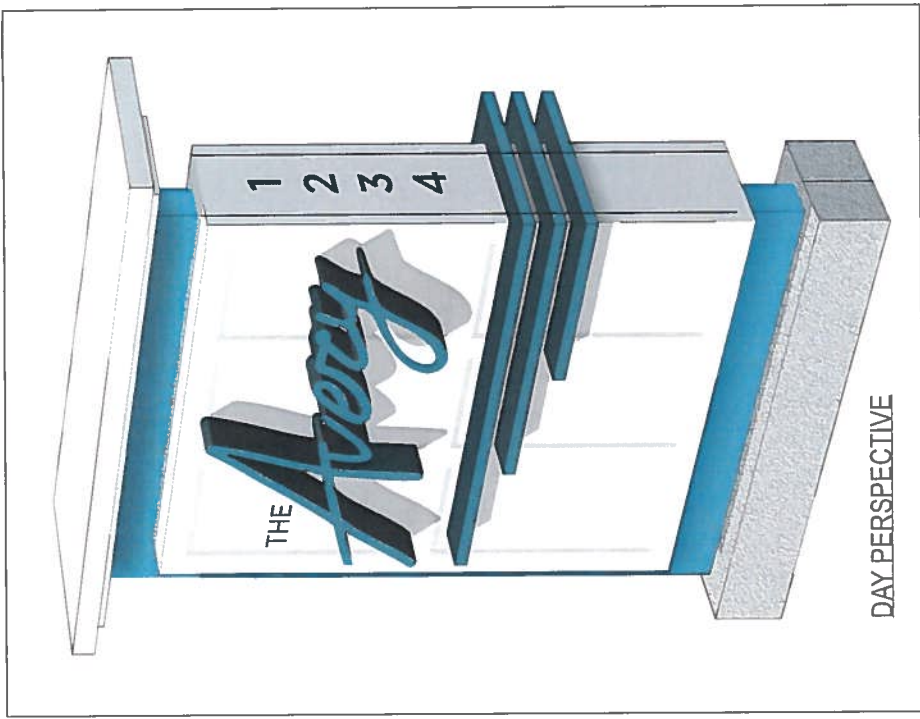
Designer: KF/DRB
 Date: 08-17-2021

Revision:	No.	Date	Description
01	0000017	-	-
02			
03			

Approval:
 Approved
 Approved as noted
 Revise and resubmit
approved: etc.

This Drawing and all reproductions thereof are the property of Creative Sign Designs and may not be reproduced, stored, changed or used in any way without written consent.

Sheet: **2**



D/F Monument Sign with Illuminated Copy / Design Bars
MNMT
 Scale: 1/2"=1'-0"



12801 Commodity Place
Tampa, Florida 33626
Phone: 800-804-4809
Fax: 813-749-2311
www.creativesigns.com

PROJECT:

The Avery
Signage Package

SITE ADDRESS
Jacksonville, FL

CRM / Quote:
0000-203421

Account Manager:

Project Manager / Project Leader

Designer: KF/DRB
Date: 08-17-2021

Revision: No. Date Description

01	000017	
02		
03		

Approval:
 Approved
 Approved as noted
 Revise and resubmit
provided #1:



ALL ELECTRICAL COMPONENTS WILL BE U.S. MADE. SOME COMPONENTS MAY BE IMPORTED. THE INSTALLATION OF THE WORK WILL BE DONE AS PER NEC 685.4 AND DESIGNATED TO U.S. ALL SIGNAGE TO BE GROUNDING AND BONDED PER NEC 680.1 AND 250.122. ALL ELECTRICAL CONNECTIONS WILL BE PROVIDED PER NEC 680.1. ALL WIRING INSIDE LETTERING WILL BE LOW VOLTAGE UNDER U.S. SIGN ACCESSORIES MANUAL (SAM) STANDARDS AND APPROVED AS PER 2011 NEC 605.3. ALL WIRING INSIDE LETTERING WILL BE PROVIDED BY CUSTOMER WITHIN SIX (6) FEET OF SIGN. ALL PRIMARY WIRING WILL BE FIT WITH DRUM HOLES PER NEC 605.4(1) (1) DESIGNATED 20 AMP CIRCUIT PER SIGN PER NEC 605.3

This Drawing and all reproductions thereof are the property of Creative Sign Designs and may not be reproduced, published, or otherwise disseminated without written consent.

Sheet: **3**

Production Notes

- 2"X 2"X 1/8" ALUM. ANGLE INNER FRAME
- .063" ALUM. FILLER
- 125" ALUM. FILLER
- 3"X 3"X 1/8" ALUM. TRIM TOP CAP W/ ALUM. FILLER
- 2"X 2"X 1/8" ALUM. TRIM TOP CAP W/ ALUM. FILLER
- 1"X 3"X 1/8" ALUM. WELDED FACE FRAME W/ 125" ALUM. BACKER
- 1/8" WHITE #7328 ACRYLIC BACKER -FOR COPY/ ADDRESS NUMBERS
- .063" ALUM. WHITE/WHITE BACKER FOR LED'S
- ROUTED 1" THICK ACRYLIC BACKER - PAINTED FOR ILLUMINATED COPY & DESIGN BAR'S
- .080" ALUM. TWO-PART BASE COVER W/ ANGLE FRAME
- 5/8" DIA. X .258" STEEL SUPPORT PIPE W/ 2"X 2" STEEL ANGLE SADDLE

Paint Notes:

All Painted Surfaces To Have Akzo Nobel Satin Paint

P1) MP 56851SP BLUE SMOKE

P2) MP 202SP WHITE

P3) PMS-COOL GRAY #2 W/ MED-STUCCO FINISH

Vinyl Notes:

V1) 3M TRANSLUCENT FILM-PRINTED TO MATCH MP 56851SP BLUE SMOKE OVER ACRYLIC BACKER

KALI SIGN LETTERS/BARS Notes:

Slimtek-F - "Avery" - 31"x50.66"

Light effect: Front Light

Face: Vinyl/3M 3630 or Avery TF 4500

Side: Paint/Satin/(PMS or RAL code)

Back: Paint/Satin/(PMS or RAL code)

Slimtek-F - lines - 1.5"x58"

Light effect: Front Light

Face: Vinyl/3M 3630 or Avery TF 4500

Side: Paint/Satin/(PMS or RAL code)

Back: Paint/Satin/(PMS or RAL code)

Electrical Notes:

NOTE: 120 Volt 20 Amp Primary Electric Circuit Supplied To Site By Buyer

E1) Electrical Disconnect Switch Box

E2) LED Power Supply

E3) White LED

L.E.D. Notes:

12 Volt

LED Type: Hanley/Phoenix PF-3120

Color: White 6500K

LED Modules: 28 Per-Side

Modules: 28 Per-Side

LED Power Source Type: MOD-60 Transformer

Volts: 12

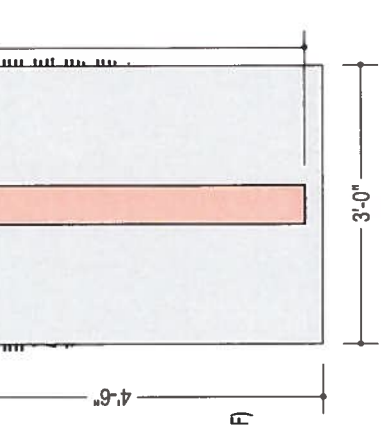
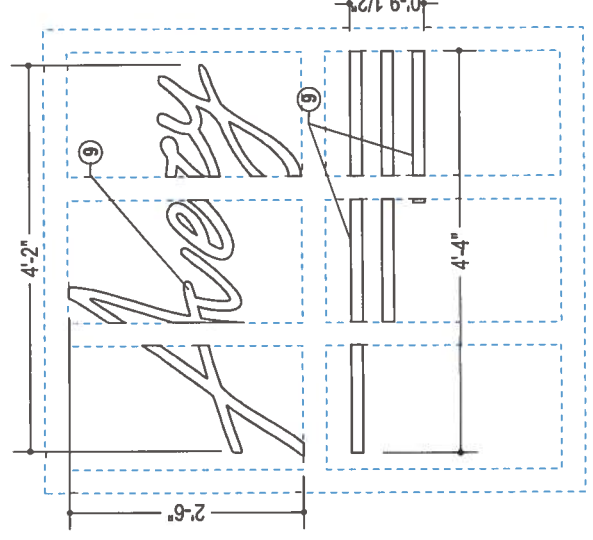
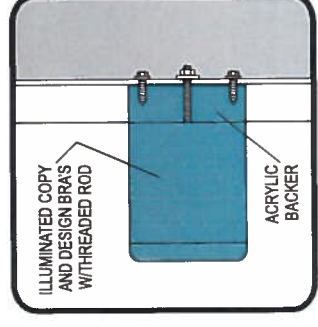
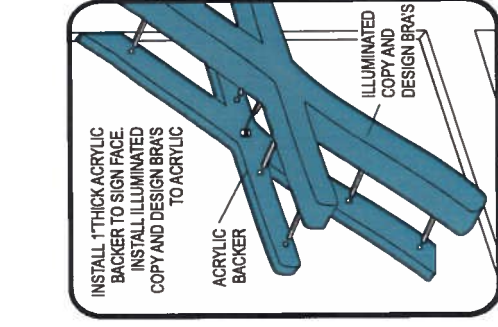
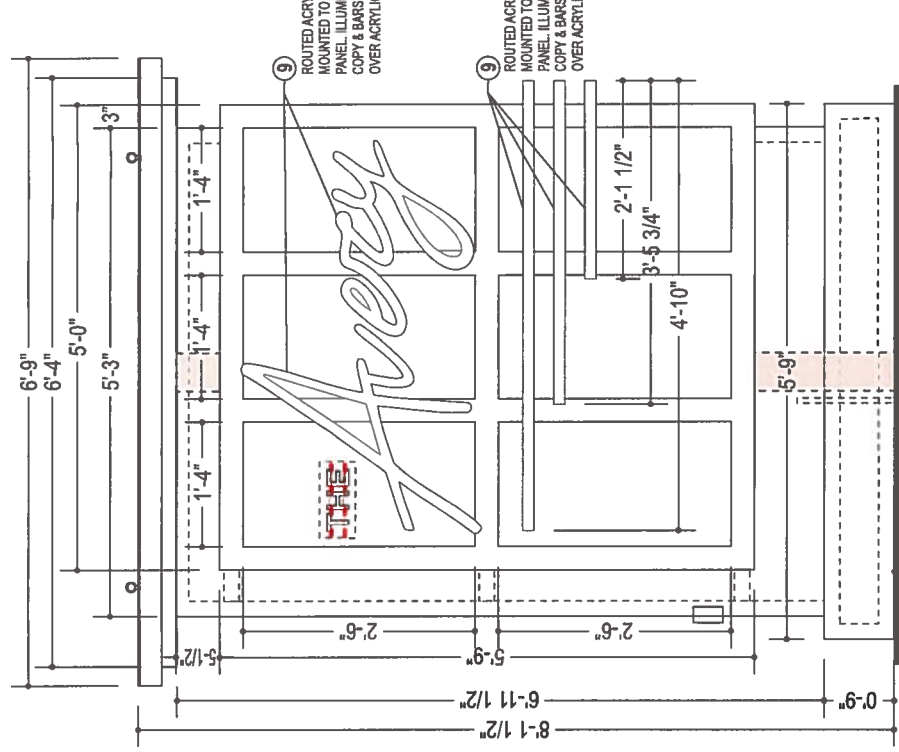
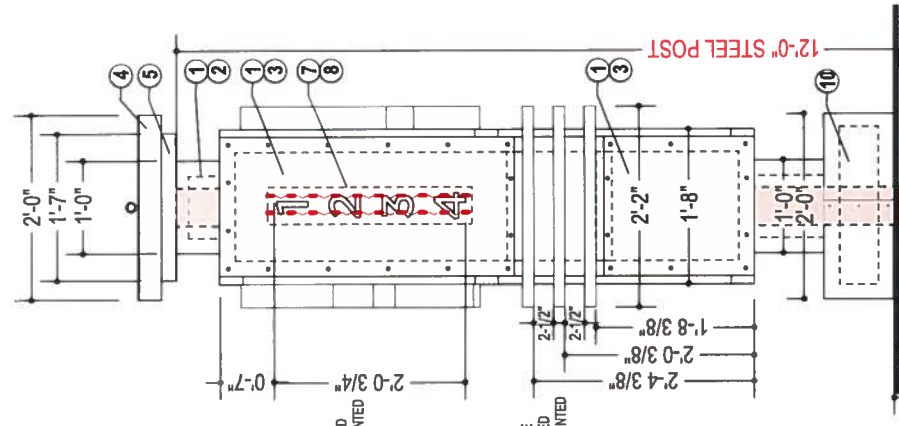
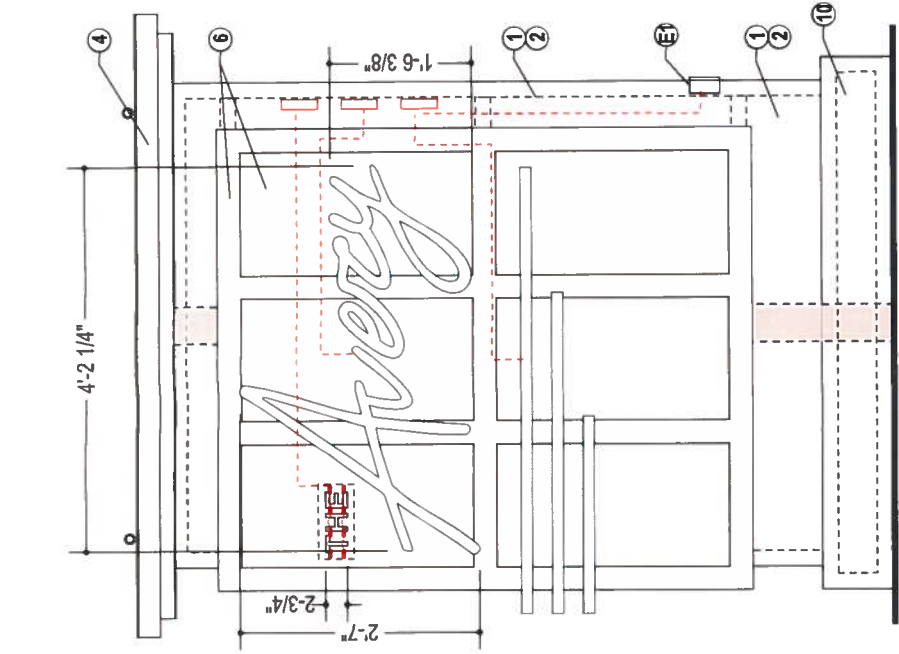
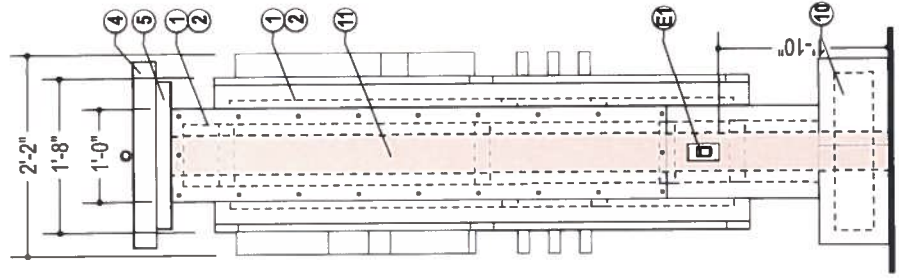
Watts: 60

Power Supply Qty.: 1

Amp Input: .90 Ea

Total Amp Load: 90 Amps

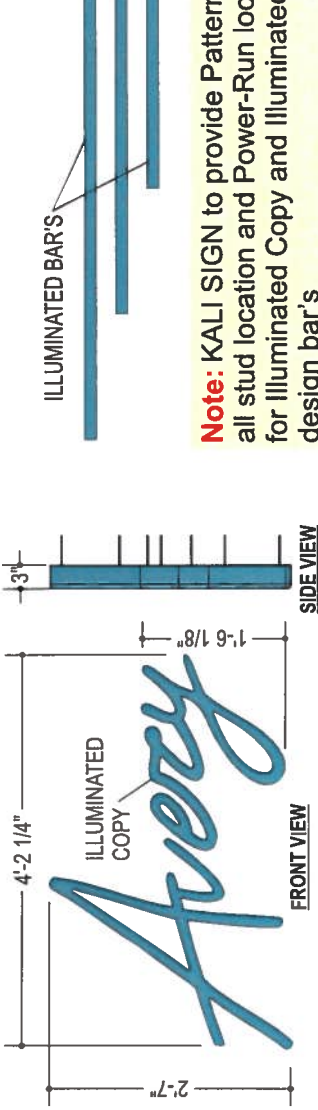
REQUIRED 120V CIRCUITS: (1) 20 AMP



D/F Monument Sign / Illuminated Copy / Design Bars Detail

Boxed Copy Area: 10.7 SQ.FT.

Scale: 1/2"=1'-0"



Illuminated Copy / Design Bars Detail

KALI SIGN LETTERS/BARS

Scale: 1/2"=1'-0"

Note: KALI SIGN to provide Pattern for all stud location and Power-Run location for Illuminated Copy and Illuminated design bar's

Production Notes

- 1) 2" X 2" X 1/8" ALUM. ANGLE INNER FRAME
- 2) .063" ALUM. FILLER
- 3) .125" ALUM. FILLER
- 4) 3" X 3" X 1/8" ALUM. TRIM TOP CAP W/ ALUM. FILLER
- 5) 2" X 2" X 1/8" ALUM. TRIM TOP CAP W/ ALUM. FILLER
- 6) 1" X 3" X 1/8" ALUM. WELDED FACE FRAME W/ .125" ALUM. BACKER
- 7) 1/8" WHITE #7328 ACRYLIC BACKER -FOR COPY/ ADDRESS NUMBERS
- 8) .063" ALUM. WHITE/WHITE BACKER FOR LED'S
- 9) ROUTED 1" THICK ACRYLIC BACKER - PAINTED FOR ILLUMINATED COPY & DESIGN BAR'S
- 10) .080" ALUM. TWO-PART BASE COVER W/ ANGLE FRAME
- 11) 5" DIA. X .258" STEEL SUPPORT PIPE W/ 2" X 2" STEEL ANGLE SADDLE

Paint Notes:

- All Painted Surfaces To Have Akzo Nobel Satin Paint
- P1) MP 56851SP BLUE SMOKE
 - P2) MP 202SP WHITE
 - P3) PMS-COOL GRAY #2 W/ MED-STUCCO FINISH

Vinyl Notes:

- V1) 3M TRANSLUCENT FILM-PRINTED TO MATCH MP 56851SP BLUE SMOKE OVER ACRYLIC BACKER

KALI SIGN LETTERS/BARS Notes:

- Slimtek-F - "Avery"- 31" x 58.66"
 Light effect: Front Light
 Face: Vinyl/3M 3630 or Avery TF 4500
 Side: Paint/Satin/(PMS or RAL code)
 Back: Paint/Satin/(PMS or RAL code)
- Slimtek-F - lines - 1.5" x 58"
 Light effect: Front Light
 Face: Vinyl/3M 3630 or Avery TF 4500
 Side: Paint/Satin/(PMS or RAL code)
 Back: Paint/Satin/(PMS or RAL code)

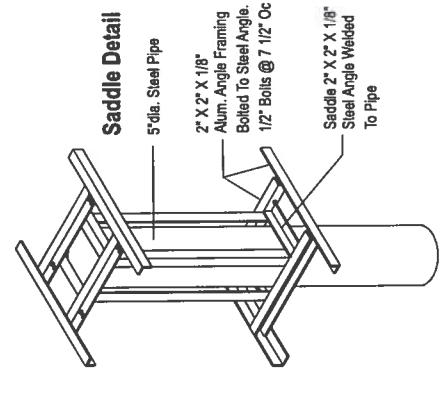
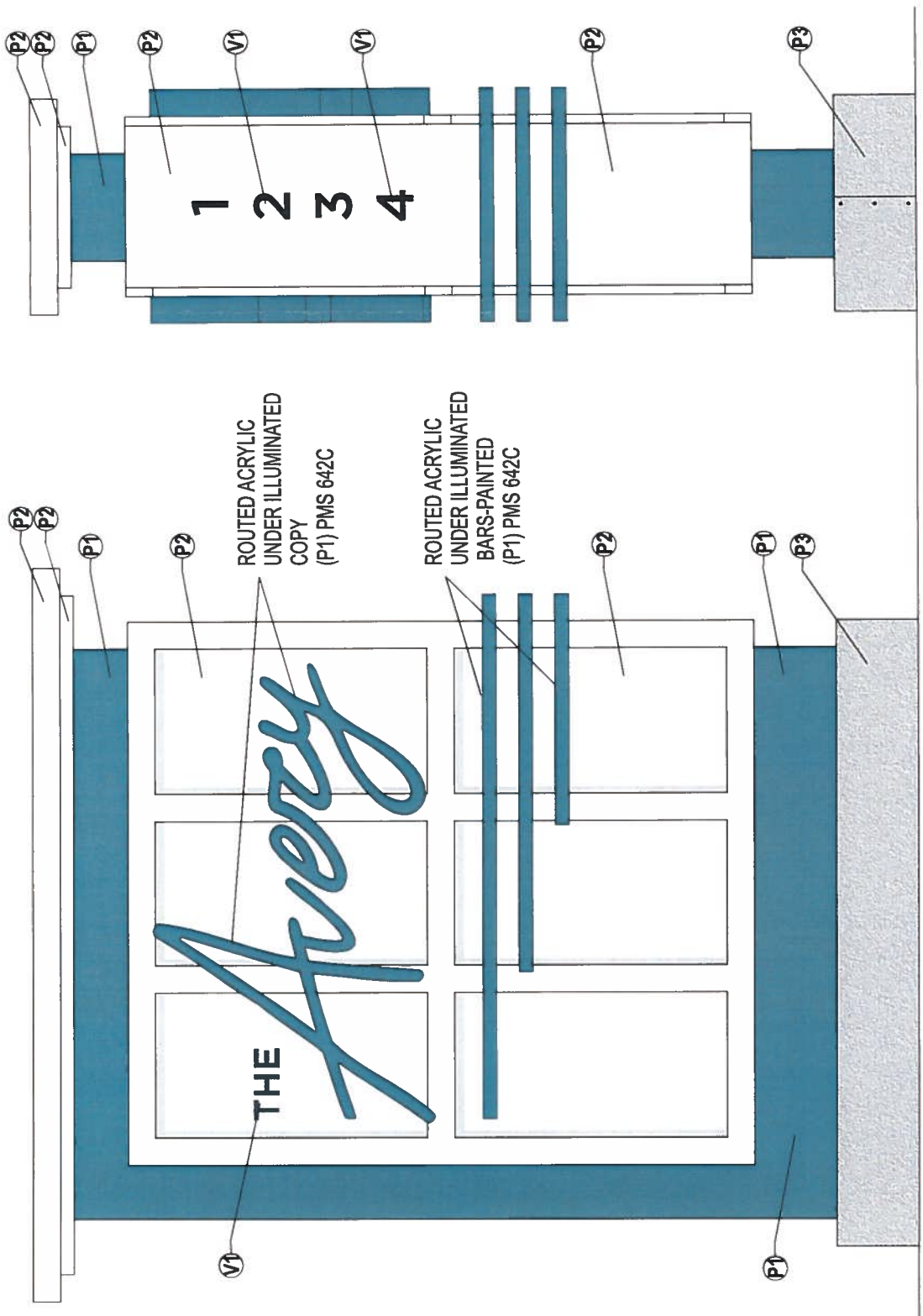
Electrical Notes:

- NOTE: 120 Volt 20 Amp Primary Electric Circuit Supplied To Site By Buyer
- E1) Electrical Disconnect Switch Box
 - E2) LED Power Supply
 - E3) White LED

L.E.D. Notes:

12 Volt	Color:	White 6500K
LED Type:	Hanley Phoenix PF-3120	Secondary
LED Modules:	Modules: 28 Per-Side	Volts
LED Power Source Type:	MOD-60 Transformer	Watts
Power Supply Qty.:	1	Amp Input: .90 Ea

**Total Amp Load: 90 Amps
 REQUIRED 120V CIRCUITS: (1) 20 AMP**



CREATIVE SIGN DESIGNS
 12801 Commodity Place
 Tampa, Florida 33626
 Phone: 800-804-4809
 Fax: 813-749-2311
 www.creativesigndesigns.com

PROJECT:
The Avery Signage Package

SITE ADDRESS
 Jacksonville, FL

CRM / Quote:
0000-203421

Account Manager:
 Project Manager / Project Leader

Designer: KFDRB
Date: 08-17-2021

No.	Date	Description
01	00/00/17	
02		
03		

Approval:

Approved
 Approved as noted
 Revise and resubmit



ALL ELECTRICAL COMPONENTS WILL BE UL LISTED. E-COS
 COMPONENTS WILL BE UL LISTED. E-COS COMPONENTS
 AS PER NEC 90.4 THE INSTALLATION OF THE WORKING WILL
 BE DONE AS PER NEC 400.4 AND DESIGNATED TO
 UL. ALL WORKS ARE TO BE GROUNDED AND BONDED
 PER NEC 250.4 AND 250.122.
 ALL ELECTRICAL DISCONNECTS WILL BE PROVIDED PER
 NEC 404.10.
 ALL WORKING IN THE LETTERING WILL BE LOW VOLTAGE
 UNDER UL SIGN ACCESSORIES MANUAL (SAMI) DATA,
 HANGING PER NEC 400.4 PER 2011 NEC 603.
 HANGING PER NEC 400.4 PER 2011 NEC 603.
 PRIMARY ELECTRICAL SOURCE TO BE SUPPLIED BY
 CUSTOMER WITHIN SIX (6) FEET OF SIGN. ALL PRIMARY
 WIRING WILL BE #12 THIN WALL HOLES PER NEC 400.8(D)
 (1) (DESIGNATED 20 AMP CIRCUIT PER 50A PER NEC 400.3)

This Drawing and all reproductions thereof are the property of Creative Sign Designs and may not be reproduced, copied, or otherwise used in any way without written consent.

Sheet: **4**