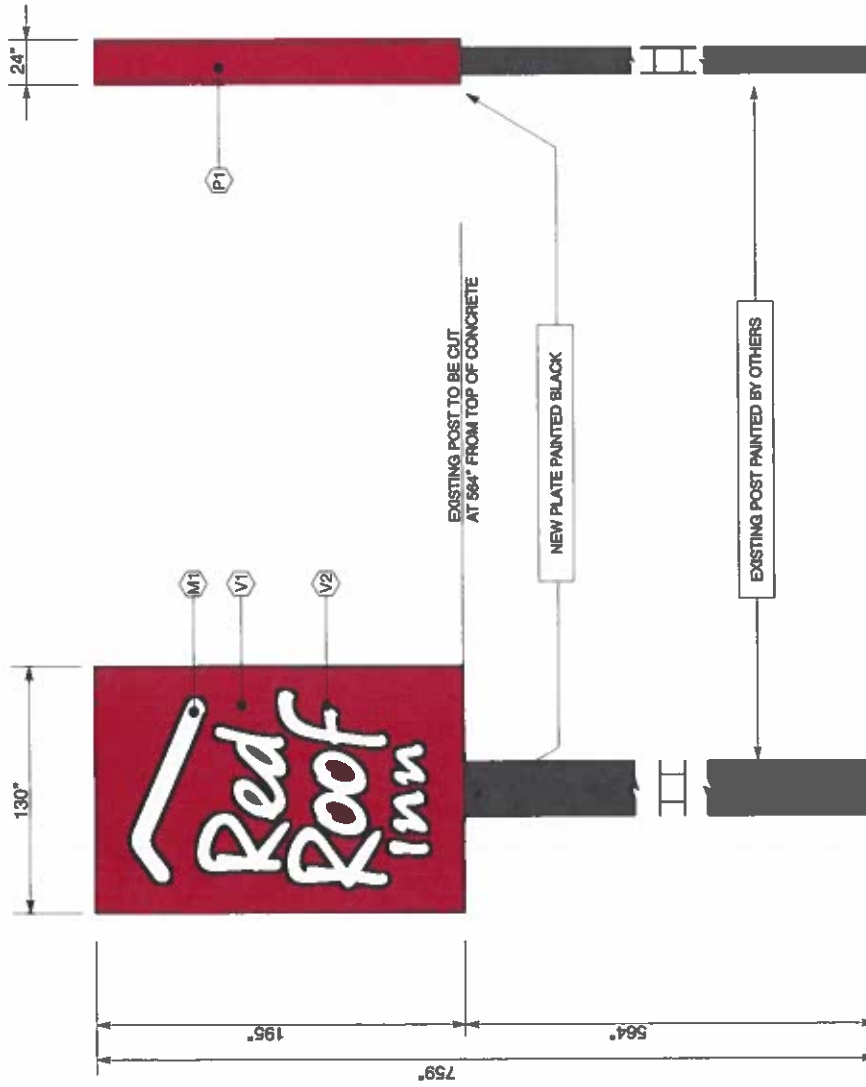


**S1** 17608-1



FRONT VIEW  
SCALE: 3/16" = 1'-0"

SIDE VIEW  
SCALE: 3/16" = 1'-0"



EXISTING SIGNAGE

REVISIONS

No.	DESCRIPTION	Int. Ver.	DATE
00	PERMIT	DC RM	22-01-12
01	PERMIT	DC RM	22-01-20
01	PERMIT	NL YS	22-06-28

REV. NO. TURNING CUT-OFF LINE

**DO NOT CIRCULATE  
OR PUBLISH**

**m.**  
4136, Highway 440 west  
South service road  
Laval (Quebec) H7T 0H3  
Phone: 450.668.4888  
montréal@enr.com  
Fax: 450.668.8822

ACCOUNT EXEC: FRANCOIS LUSSIER

PROJECT MANAGER: YI SUN

CLIENT: RED ROOF INN  
6089 YOUNGERMAN CIR  
JACKSONVILLE, FL

PROPERTY CODE: RR1081

SITE/PROJECT: RED ROOF INN  
1063 AIRPORT ROAD  
JACKSONVILLE, FL

TYPE OF PRODUCT: EXISTING  
TITLE: SURVEY

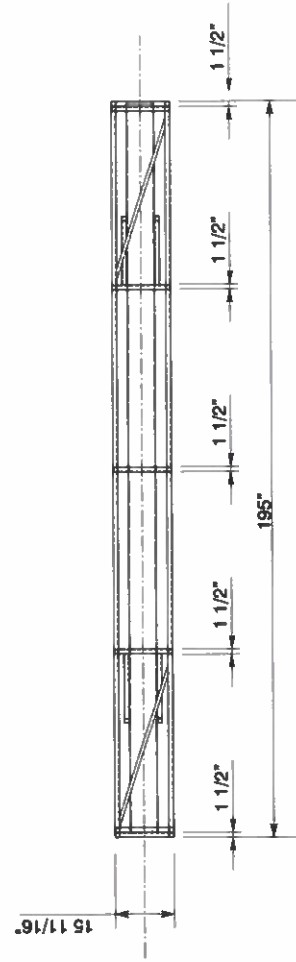
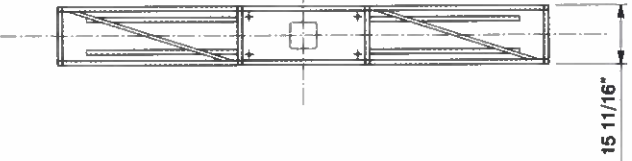
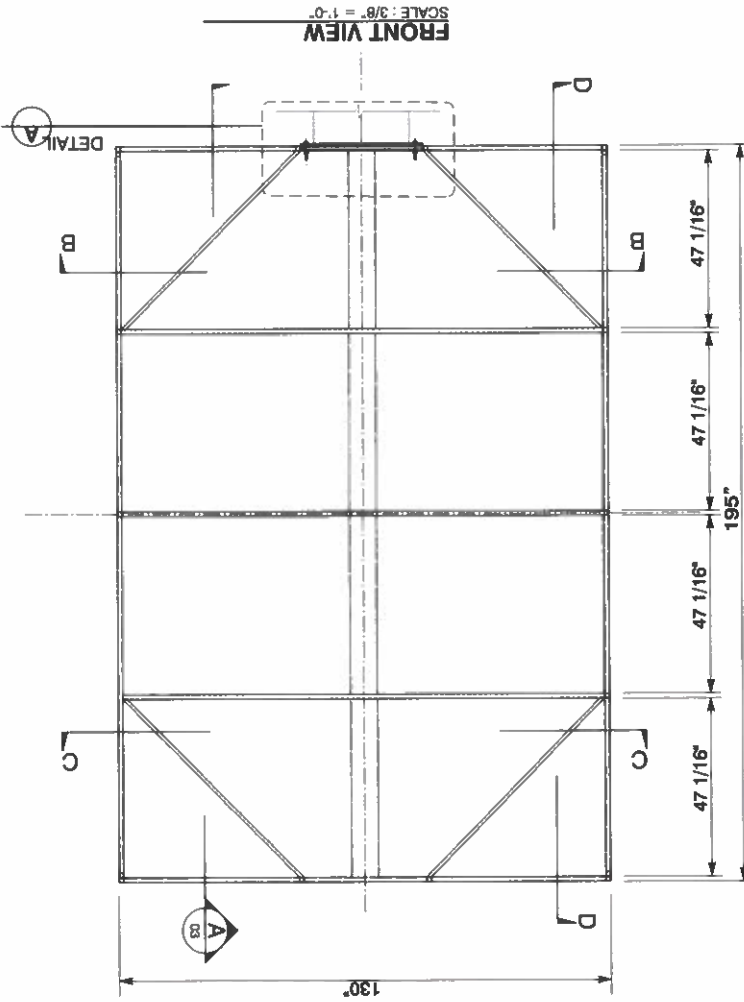
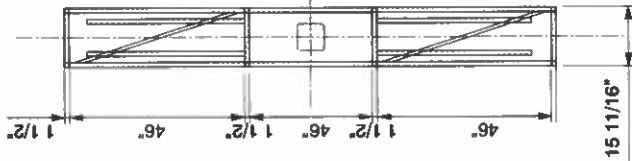
FILE: 17608\_1-PRM\_R02  
01  
05

#	CLIENT COLOURS	PRODUCTION COLOURS	BY	FINISH
M1	WHITE	FLEXFACE	DC	TRANS
V1	PMS: 200C	3M 3630-83, REGAL RED	CLIENT	TRANS
V2	BLACK	3M BLACK 3630-22	DC	OPAQUE
P1	PMS: 200C	RED PMS 200C	CLIENT	SATIN

COLOURS PRINTED ON THIS DRAWING COULD BE DIFFERENT FROM THE REAL COLOURS

**CONFIDENTIAL:** DRAWINGS MUST NOT PUBLISHED OR SHARED WITH ANY OTHER PERSON OR THIRD PARTY, WITHOUT WRITTEN CONSENT FROM M.I.S.

S1 17608-1



REVISIONS		
No.	DESCRIPTION	Int. Ver. DATE
001	PERMIT	DC RM 22-01-12
002	PERMIT	DC RM 22-01-20
003	PERMIT	NL YS 22-06-28

REV. NO. TURNING CUT-OFF LINE

**DO NOT CIRCULATE  
OR PUBLISH**

**m.**  
4150, Highway 440 west  
South service road  
Laval (Quebec) H7T 0H3  
Phone: 514.688.4888  
montreal@mn-segs.com  
Tel: 450.660.8822

ACCOUNT EXEC.  
FRANCOIS LUSSIER

PROJECT MANAGER  
YI SUN

CLIENT  
**RED ROOF INN**  
6089 YOUNGERMAN CIR  
JACKSONVILLE, FL

PROPERTY CODE  
RR1081

SITE/PROJECT  
**RED ROOF INN**  
1063 AIRPORT ROAD  
JACKSONVILLE, FL

TYPE OF PROJECT  
EXISTING

TITLE  
SURVEY

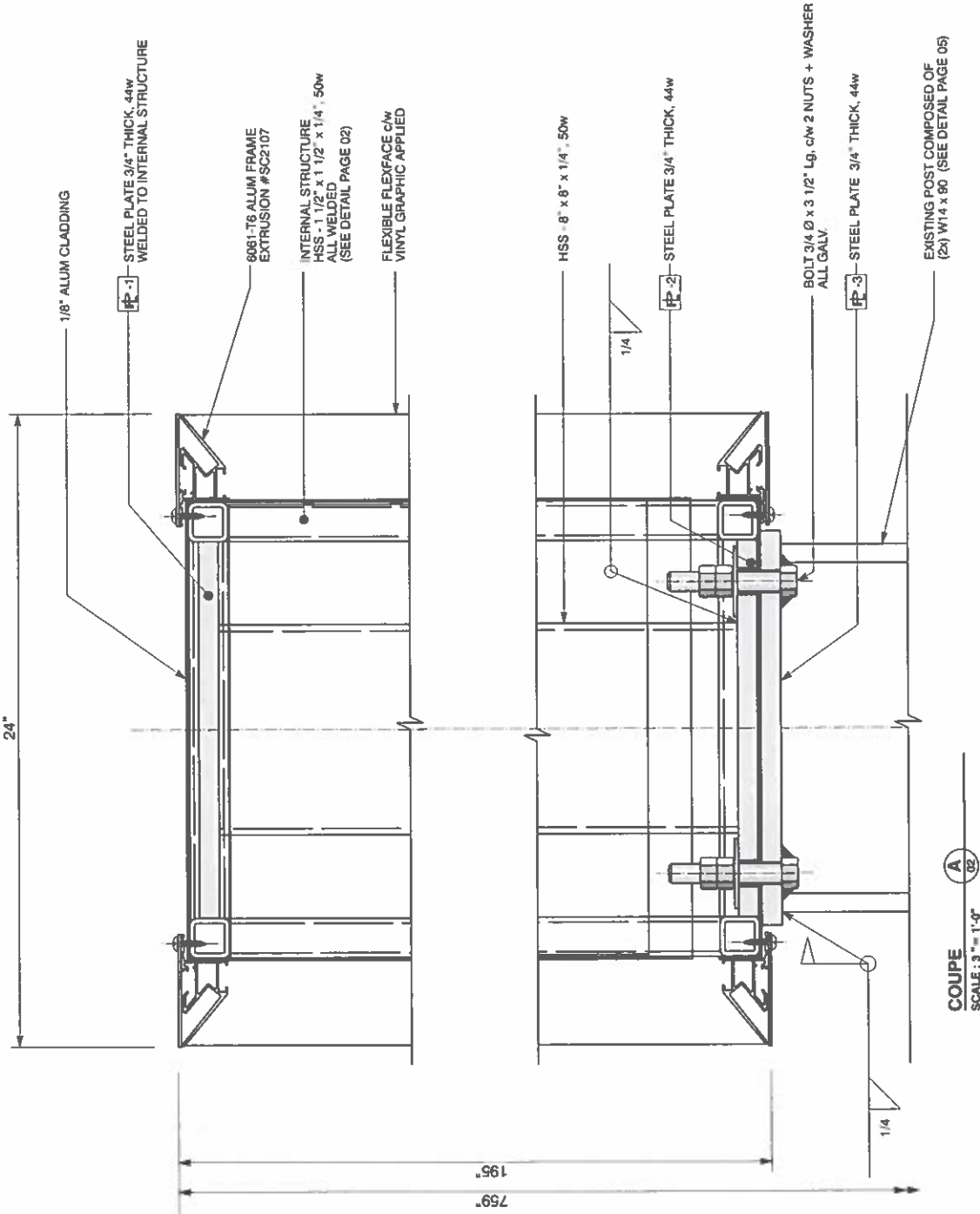
FILE  
17608\_1-PRM\_R02

02  
05

DRAWINGS MUST NOT BE PUBLISHED OR SHARED WITH ANY OTHER PERSON OR THIRD PARTY, WITHOUT WRITTEN CONSENT FROM M.N.S.

**CONFIDENTIAL:**

S1 17608-1



COUPE  
SCALE: 3" = 1'-0"  
A  
02

REVISIONS			
No.	DESCRIPTION	Int. Ver.	DATE
00	PERMIT	DC RM	22-01-12
01	PERMIT	DC RM	22-01-20
01	PERMIT	NL YS	22-06-28

REV. NO. TURNED OUT-OFF LINE

DO NOT CIRCULATE  
OR PUBLISH

**m.**  
4396, Highway 640 west  
South service road  
Laval (Québec) H7T 4H3  
Phone 450.668.4888  
montréal mon.sigs  
Phone 514.955.3333  
fax 450.668.8822

ACCOUNT EXEC

PROJECT MANAGER

CLIENT

PROPERTY CODE

SITE PROJECT

TYPE OF PROJECT

TITLE

SCALE

17608\_1-PRM\_R02  
03  
05

DRAWINGS MUST NOT BE PUBLISHED OR SHARED WITH ANY OTHER PERSON OR THIRD PARTY, WITHOUT WRITTEN CONSENT FROM M.N.S.

CONFIDENTIAL

S1 17608-1

REVISIONS		
No.	DESCRIPTION	INIT. Ver. DATE
00	PERMIT	DC RM 22-01-12
01	PERMIT	DC RM 22-01-20
01	PERMIT	NL YS 22-06-28

REV. NO. TURNING CUT-OFF LINE

DO NOT CIRCULATE OR PUBLISH

**m.**  
 4130, Highway 440 West  
 South Service Road  
 Laval (Quebec) H7T 0H3  
 Montreal metro area  
 Phone: 514.955.3333  
 Fax: 514.955.8822

ACCOUNT EXEC. FRANCOIS LUSSIER

PROJECT MANAGER YI SUN

CLIENT RED ROOF INN

6089 YOUNGERMAN CIR JACKSONVILLE, FL

PROPERTY CODE RR1081

SITE/PROJECT RED ROOF INN

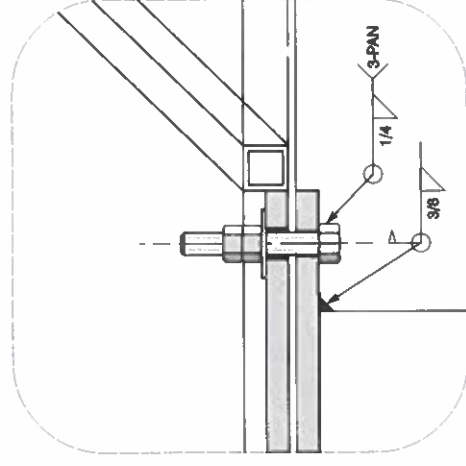
1083 AIRPORT ROAD JACKSONVILLE, FL

TYPE OF PROJECT EXISTING

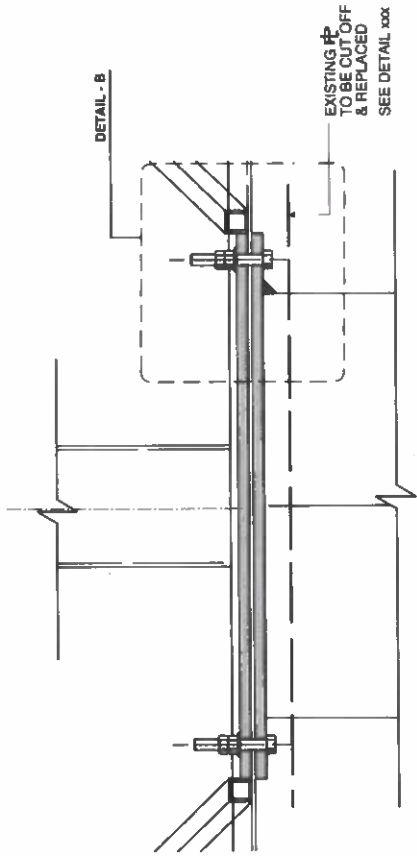
TITLE SURVEY

FILE 17608\_1-PRM\_R02

04 05



DETAIL SCALE: 3" = 1'-0" B

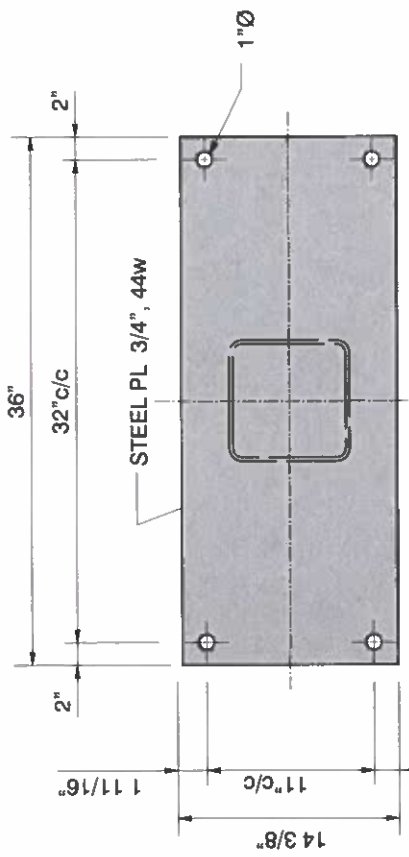


EXISTING RP TO BE CUT OFF & REPLACED SEE DETAIL xxx

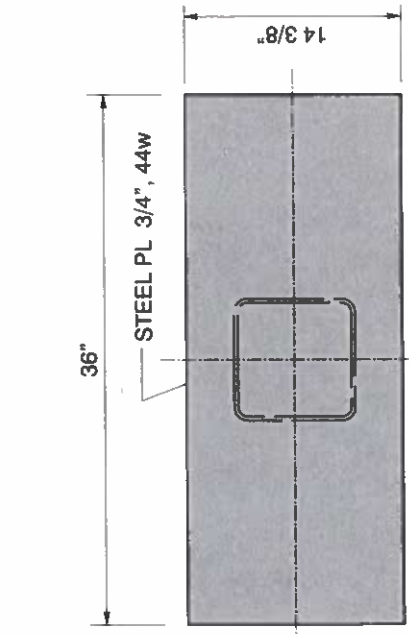
DETAIL SCALE: 1-1/2" = 1'-0" A

CONFIDENTIAL: DRAWINGS MUST NOT BE PUBLISHED OR SHARED WITH ANY OTHER PERSON OR THIRD PARTY, WITHOUT WRITTEN CONSENT FROM M.N.S.

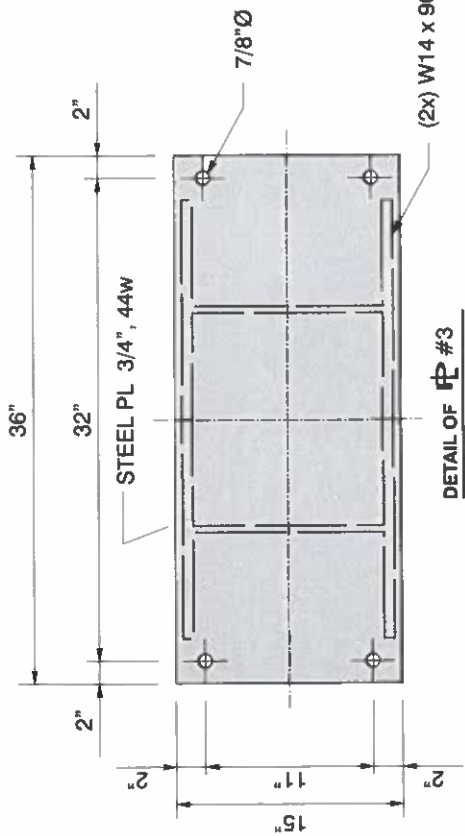
S1 17608-1



DETAIL OF  $\#1$   
SCALE: 1:1/2" = 1'-0"



DETAIL OF  $\#2$   
SCALE: 1:1/2" = 1'-0"



TOP VIEW  
SCALE: 1:1/2" = 1'-0"

DETAIL OF  $\#3$   
SCALE: 1:1/2" = 1'-0"

REVISIONS			
No.	DESCRIPTION	Int. Ver.	DATE
00	PERMIT	DC RM	22-01-12
01	PERMIT	DC RM	22-01-20
01	PERMIT	NL YS	22-06-28

REV. NO. TURNING OUT OF LINE

DO NOT CIRCULATE OR PUBLISH

**M.**  
4130, Highway 440 west  
South service road  
Laval (Quebec) H7T 0H3  
Phone: 514-668-4888  
toll-free: 1-877-333-3333  
fax: 514-668-8822

ACCOUNT EXEC.  
FRANCOIS LUSSIER

PROJECT MANAGER  
YI SUN

CLIENT  
RED ROOF INN  
6089 YOUNGERMAN CIR  
JACKSONVILLE, FL

PROPERTY CODE  
RR1081

SITE/PROJECT  
RED ROOF INN  
1063 AIRPORT ROAD  
JACKSONVILLE, FL

TYPE OF PROJECT  
EXISTING

TITLE  
SURVEY

FILE  
17608\_1-PRM\_R02

05  
05

CONFIDENTIAL: DRAWINGS MUST NOT BE PUBLISHED OR SHARED WITH ANY OTHER PERSON OR THIRD PARTY, WITHOUT WRITTEN CONSENT FROM M.N.S.



