

Date Submitted:	10/23
Date Filed:	11/9

Application Number:	SW-20-07
Public Hearing:	

Application for Sign Waiver
City of Jacksonville, Florida
Planning and Development Department

Please type or print in ink. Instructions regarding the completion and submittal of this application are located at the end of this form. For additional information, please contact the Planning and Development Department at (904) 255-7865.

For Official Use Only		
Current Zoning District:	RMD-D	Current Land Use Category: MDR
Council District:	5	Planning District: 3
Previous Zoning Applications Filed (provide application numbers): NONE		
Applicable Section of Ordinance Code: PT 13		
Notice of Violation(s):		
Neighborhood Associations: SAN MARCO PRESERVATION SOCIETY		
Overlay: SAN MARCO OVERLAY		
LUZ Public Hearing Date:		City Council Public Hearing Date:
Number of Signs to Post: 2	Amount of Fee: 0	Zoning Asst. Initials: [Signature]

PROPERTY INFORMATION	
1. Complete Property Address: 1620 Naldo Ave Jacksonville, FL 32207	2. Real Estate Number: 080460-0000
3. Land Area (Acres): 0.82	4. Date Lot was Recorded: 1970
5. Property Located Between Streets: Lasalle St & Landon Ave	6. Utility Services Provider: City Water / City Sewer <input checked="" type="checkbox"/> Well / Septic <input type="checkbox"/>

7. Waiver Sought:

Increase maximum height of sign from 8 to ≈10 ^{Atw} feet (maximum request 20% or 5 ft. in height, whichever is less). *Note – Per Section 656.1310, no waiver shall be granted which would permit a sign in excess of 40 feet in height in any zoning district.

Increase maximum size of sign from 24 sq. ft. to 34 ^{Atw} sq. ft. (maximum request 25% or 10 sq. ft., whichever is less)

Increase number of signs from _____ to _____ (not to exceed maximum square feet allowed)

Allow for illumination or change from _____ external to _____ internal lighting

Reduce minimum setback from _____ feet to _____ feet (less than 1 ft. may be granted administratively)

8. In whose name will the Waiver be granted?
San Marco United Methodist Church

9. Is transferability requested? If approved, the waiver is transferred with the property.

Yes

No

OWNER'S INFORMATION (please attach separate sheet if more than one owner)

10. Name: <u>San Marco United Methodist Church</u>	11. E-mail:
12. Address (including city, state, zip): <u>1620 Naldo Ave Jacksonville, FL 32207</u>	13. Preferred Telephone: <u>904-398-3204</u>

APPLICANT'S INFORMATION (if different from owner)

14. Name: <u>Taylor Sign & Design, Inc</u>	15. E-mail: <u>Kvarn@taylorsignco.com</u>
16. Address (including city, state, zip): <u>4162 St. Augustine Rd. Jacksonville, FL 32207</u>	17. Preferred Telephone: <u>904-396-4652</u>

18. Given the above definition of a "sign" and the aforementioned criteria by which the request will be reviewed against, please describe the reason that the waiver is being sought. Provide as much information as you can; you may attach a separate sheet if necessary. Please note that failure by the applicant to adequately substantiate the need for the request and to meet the criteria set forth may result in a denial.

see attached

The zoning for the property allows for a 24 sq. ft. ground sign. The existing monument sign is 34 sq. ft. When we submitted for a sign permit, we were made aware the size needed to be reduced to comply with the zoning. However, at the time of install we realized the sign was manufactured to the wrong specs. If the church is made to conform, the readerboard will have to be reduced from 32 square feet to 20 square feet in order to include the church logo as well. This dramatic reduction in size limits the church's ability to make the community aware of special events, display worship times, and spread their religious faith. Attendance has been exceptionally low due to COVID-19 so being able to provide the community with that information is essential.

If the sign was on a collector road, they would be allowed 1 square foot for each 5 linear feet of street frontage to a maximum of 50 square feet. Naldo Ave runs parallel to San Marco Blvd and Hendricks Blvd which are both collectors. If the church was a street over the current size would not be an issue. Additionally, the sign is non-illuminated and does not disrupt the nature of the neighborhood.

AUTHORIZATION

Please review your application. No application will be accepted until all of the requested information has been supplied and the required fee has been paid. The acceptance of an application as being complete does not guarantee its approval by the City Council. The owner and/or authorized agent must be present at the public hearing.

The required public notice signs must be posted on the property within five (5) working days after the filing of this application. Sign(s) must remain posted and maintained until a final determination has been made on the application.

I hereby certify that I have read and understand the information contained in this application, that I am the owner or authorized agent for the owner with authority to make this application, and that all of the information contained in this application, including the attachments, is true and correct to the best of my knowledge.

<p>Owner(s) Print name: _____ Signature: _____</p>	<p>Applicant or Agent (if different than owner) Print name: <u>Kelly Varn</u> Signature: <u>K Varn</u></p> <p><i>*An agent authorization letter is required if the application is made by any person other than the property owner.</i></p>
<p>Owner(s) Print name: _____ Signature: _____</p>	

SUBMITTAL

This application must be typed or printed in ink and submitted along with three (3) copies for a total of four (4) applications. Each application must include all required attachments.

Submit applications to:
Planning and Development Department, Zoning Section
214 North Hogan Street, 2nd Floor
Jacksonville, Florida 32202
(904) 255-8300

EXHIBIT 1

Legal Description

02-007 44-2S-26E OKLAHOMA (LYONS SURVEY) LOTS 1,2,3,FRACL LOT 4 BLK 3

EXHIBIT A

Property Ownership Affidavit - Corporation

Date: 10/19/20

City of Jacksonville
Planning and Development Department
214 North Hogan Street, Suite 300,
Jacksonville, Florida 32202

Re: Property Owner Affidavit for the following site location in Jacksonville, Florida:
Address: 1620 Waldo Ave RE#(s): 080460-0000

To Whom it May Concern:

James Greenwalt, as trustee of San Marco Methodist Church, a corporation organized under the laws of the state of Florida, hereby certify that said corporation is the Owner of the property described in Exhibit 1 in connection with filing application(s) for sign waiver submitted to the Jacksonville Planning and Development Department.

(signature) [Signature]
(print name) James Greenwalt

Please provide documentation illustrating that signatory is an authorized representative of the corporation; this may be shown through corporate resolution, power of attorney, printout from sunbiz.org, etc.

STATE OF FLORIDA
COUNTY OF DUVAL

Sworn to and subscribed and acknowledged before me this 19th day of October 2020, by James Greenwalt, as trustee of San Marco Methodist Church corporation, who is personally known to me or who has produced _____ as identification and who took an oath.



[Signature]
(Signature of NOTARY PUBLIC)
Howell Rushi
(Printed name of NOTARY PUBLIC)

State of Florida at Large.
My commission expires: _____

EXHIBIT B

Agent Authorization - Corporation

Date: 10/19/20

City of Jacksonville
Planning and Development Department
214 North Hogan Street, Suite 300,
Jacksonville, Florida 32202

Re: Agent Authorization for the following site location in Jacksonville, Florida:

Address: 1620 Naldo Ave RE#(s): 050460-0000

To Whom it May Concern:

You are hereby advised that James Greenwalt, as trustee of San Marco Methodist Church a corporation organized under the laws of the state of Florida hereby authorizes and empowers Taylor Sign & Design to act as agent to file application(s) for a sign waiver for the above referenced property and in connection with such authorization to file such applications, papers, documents, requests and other matters necessary for such requested change as submitted to the Jacksonville Planning and Development Department.

(signature) [Signature]
(print name) James Greenwalt

STATE OF FLORIDA
COUNTY OF DUVAL

Sworn to and subscribed and acknowledged before me this 19th day of October 2020, by James Greenwalt as trustee of San Marco Methodist Church corporation, who is personally known to me or who has produced _____ as identification and who took an oath.

[Signature]
(Signature of NOTARY PUBLIC)

Howell Ruehl
(Printed name of NOTARY PUBLIC)



State of Florida at Large.
My commission expires: _____



Department of State / Division of Corporations / Search Records / Search by Officer/Registered Agent Name /

Detail by Officer/Registered Agent Name

Florida Not For Profit Corporation
SAN MARCO UNITED METHODIST CHURCH, INC.

Filing Information

Document Number 703403
FE/EIN Number 59-0662281
Date Filed 01/04/1962
State FL
Status ACTIVE
Last Event AMENDMENT AND NAME CHANGE
Event Date Filed 12/28/2017
Event Effective Date 01/01/2018

Principal Address

1620 NALDO AVENUE
JACKSONVILLE, FL 32207

Changed: 03/17/2009

Mailing Address

1620 NALDO AVENUE
JACKSONVILLE, FL 32207

Changed: 03/17/2009

Registered Agent Name & Address

GREENWALT, JAMES L
4516 BEDFORD ROAD
JACKSONVILLE, FL 32207

Name Changed: 12/28/2017

Address Changed: 12/28/2017

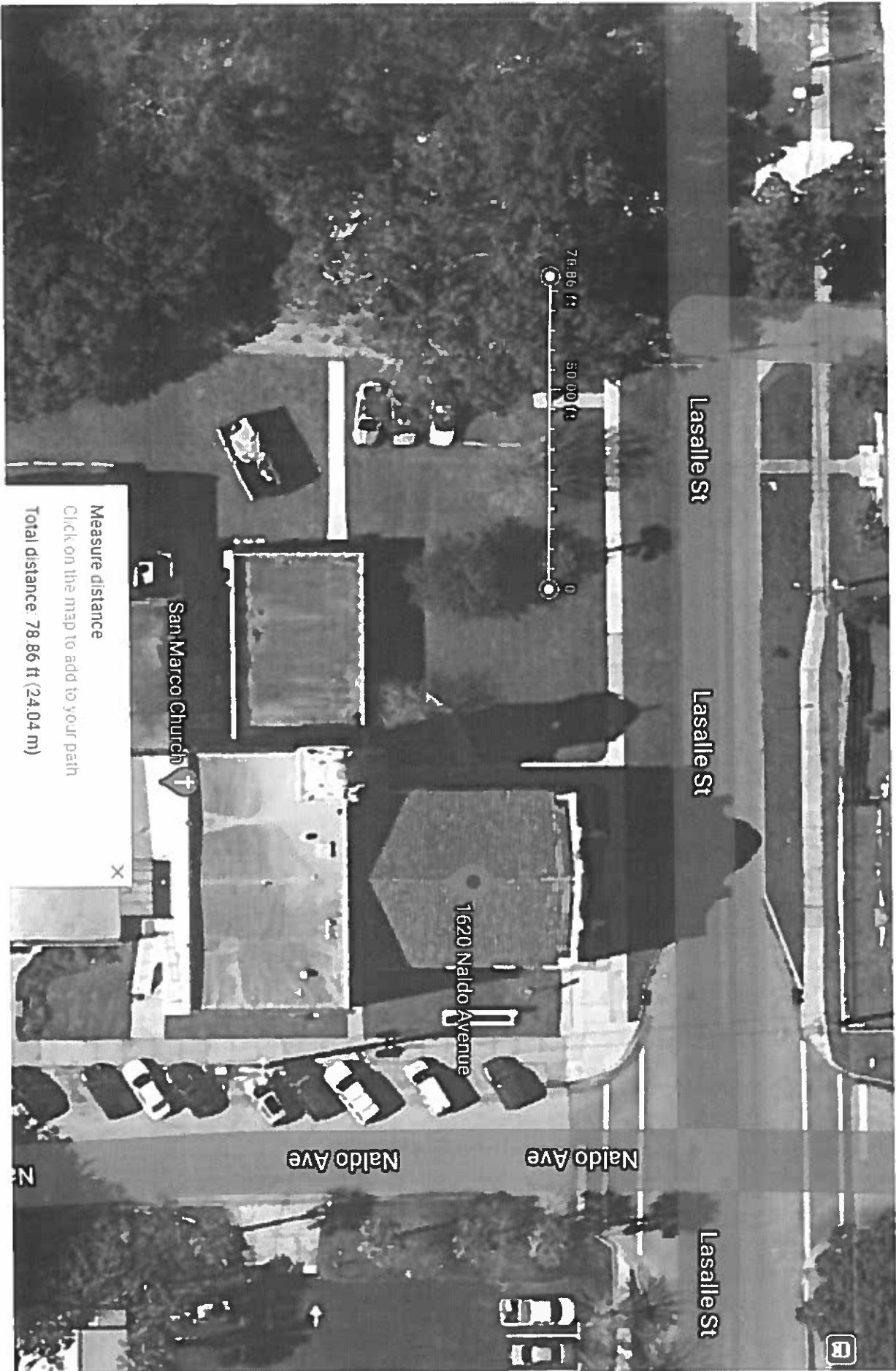
Officer/Director Detail

Name & Address

Title TR

GREENWALT, JAMES L
4516 BEDFORD ROAD
JACKSONVILLE, FL 32207





Wells, Arimus

To: Kelly Varn
Subject: RE: Sign Waiver (SW-20-07) : Hearing Dates

From: Kelly Varn <kvarn@taylorsignco.com>
Sent: Tuesday, December 22, 2020 3:28 PM
To: Wells, Arimus <ArimusW@coj.net>
Subject: RE: Sign Waiver (SW-20-07) : Hearing Dates

EXTERNAL EMAIL: This email originated from a non-COJ email address. Do not click any links or open any attachments unless you trust the sender and know the content is safe.

Hi Arimus,

We can make the 10' work for the height. We can remove the sign, cut the top of the pole & the base, then sleeve it back over. Will you please add the 2' height increase on to the waiver?

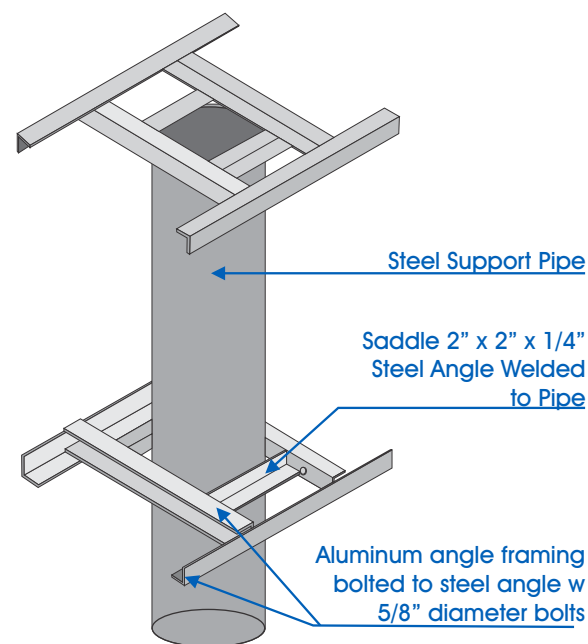
Thank you,

Kelly Varn

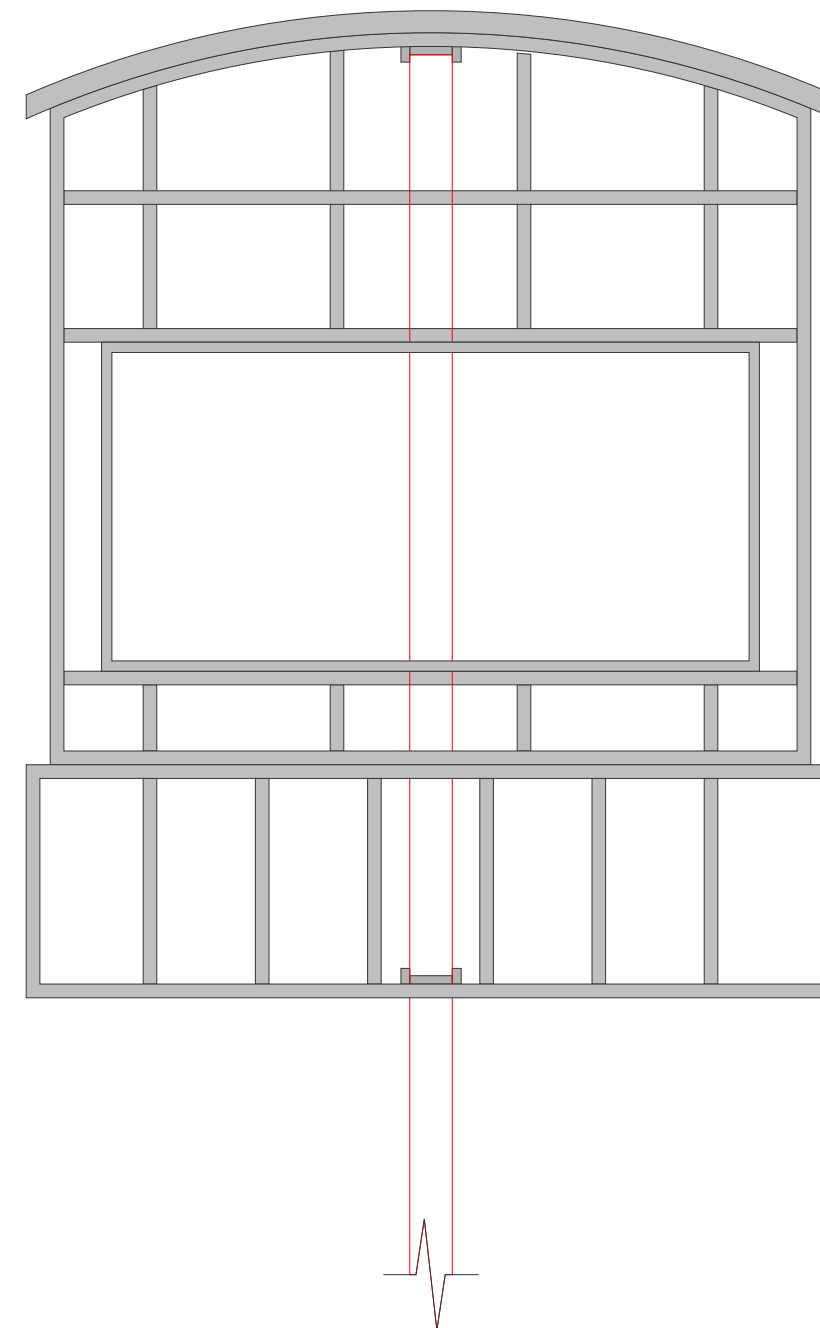
Permit Specialist
Taylor Sign and Design, Inc.
4162 St. Augustine Road
Jacksonville, FL 32207
(ph)904.396.4652



Saddle Mount Detail



• 0.063" aluminum skin and 2.0" x 2.0" aluminum frame



WIND DESIGN CRITERIA	
WIND VELOCITY	132 MPH
RISK CATEGORY	II
EXPOSURE CATEGORY (MMRF)	C
INTERNAL PRESSURE COEFFICIENT	+0 -0
COMPONENT & CLADDING PRESSURES	36.8 PSF
FORCE COEFFICIENT	1.7

- 1. Design wind pressure in conformance w/ FBC-2017 Ed Ref. ASCE7. See chart for design criteria per ASCE 7-10.
- 2a. EFIS Wall Attachment:
ASTM A307 3/8"x3" Hilti togglers fastened into Stucco over plywood fascia, top and bottom as per detail.
- 2b. CMU Wall Attachment:
3/8"x3" fully embedded Tapcon anchors top and bottom as per detail.

TAYLOR
Sign & Design, Inc.
COMMERCIAL SIGN TECHNOLOGIES

State Certified # ES12000117
www.TaylorSignCo.com
4162 St. Augustine Rd. Jacksonville, FL 32207
Phone: 904/396 4652 • Fax 904/396-3777

COMPANY:
SAN MARCO CHURCH

CONTACT: Steve Painter ADDRESS: 1620 Naldo Ave
PHONE 904-553-3250 Jacksonville, FL 32207
EMAIL steve.painter@comcast.net

DATE: 12/10/19
REVISIONS: R1-12/11/19
R2-12/12/19

SALES PERSON: Chris Taylor
DESIGNER: Guy Browning
ZONING: RMD-D
50 sq ft max
12 ft ht max

SAVED AS: San Marco Church - Monument

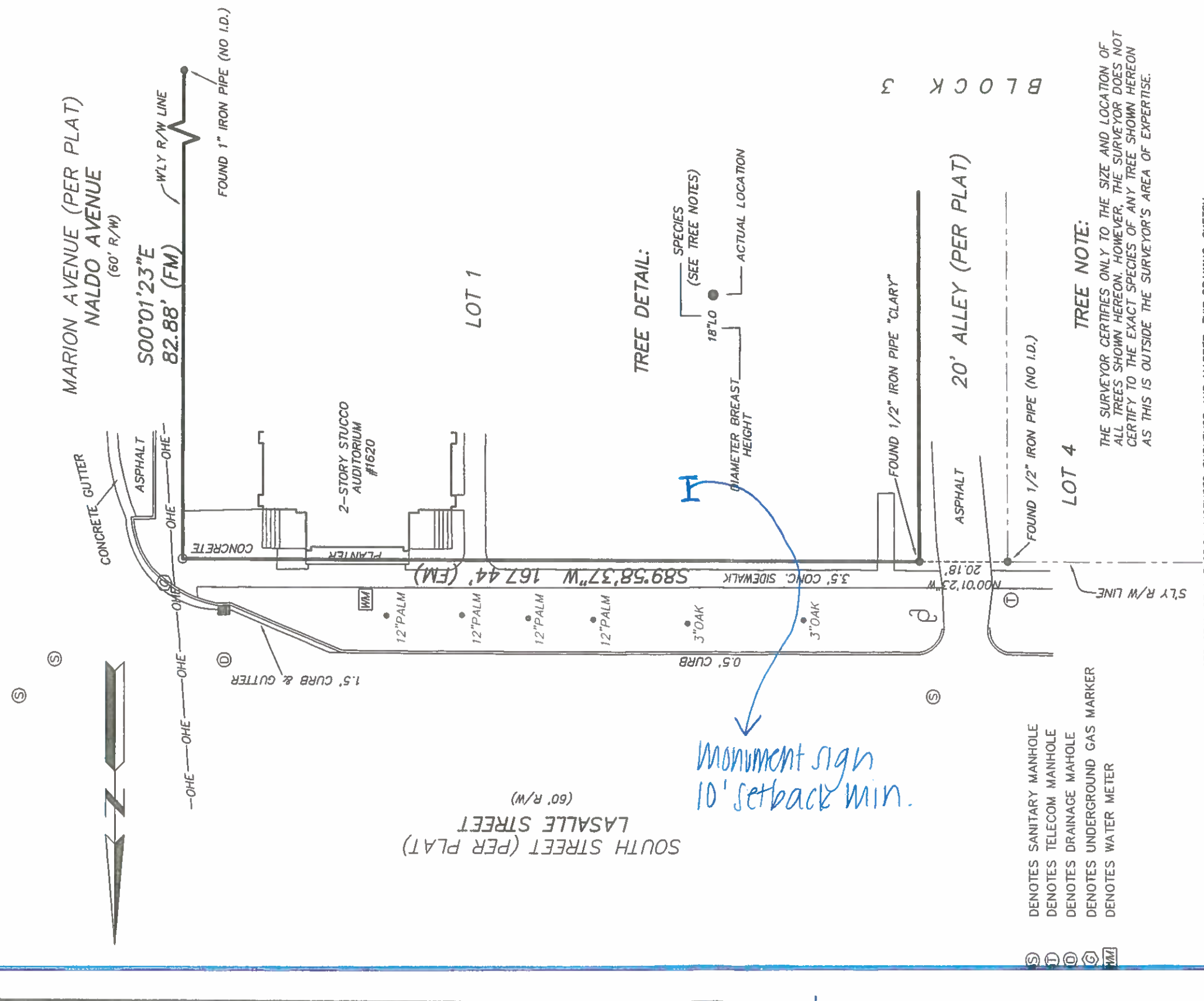
This artwork protected under copyright law and is the property of Taylor Sign & Design, Inc. And is not to be duplicated, reproduced, or distributed without written permission.

©2018 Taylor Sign & Design, Inc
This sign meets or exceeds 132 mph wind zone requirements as per 2017 Florida Building Code.



MAP SHOWING SURVEY OF

LOT 1, BLOCK 3, SHADYSIDE, ACCORDING TO THE PLAT THEREOF, AS RECORDED IN PLAT BOOK 2, PAGE 91 OF THE CURRENT PUBLIC RECORDS OF DUVAL COUNTY, FLORIDA.



UNLESS IT BEARS THE SIGNATURE AND THE ORIGINAL RAISED SEAL OF A FLORIDA LICENSED SURVEYOR AND MAPPER, THIS DRAWING, SKETCH, PLAT OR MAP IS FOR INFORMATIONAL PURPOSES ONLY, AND IS NOT VALID.

NOTES
 1. Bearings are based on the NORTH LINE OF LOT 1, BLOCK 7 AS N75°00'00"E PER PLAT.
 2. This is a BOUNDARY SURVEY.
 3. Elevations shown (thus (15.0)) refer to North American Vertical Datum of 1988; (NAVD 88).
 4. Graphic plotting only, the property shown hereon lies within Zone: "X" (SHADED) & "AE" (EL 5) as shown on the Federal Emergency Management Agency (F.E.M.A.), National Flood Insurance Program, Flood Insurance Rate Map (F.I.R.M.) Community-Panel Number 12031C-0366 & 0357 J. Map Revised date: 11/2/18
 5. Unless otherwise noted, any portion of the parcel that may be deemed as Wetlands by State or Governmental Agencies, has not been determined and any liability resulting therefrom is not the responsibility of the undersigned.
 6. There may be Restrictions or Easements of Record evidenced by title examination that have not been shown hereon.

ABBREVIATION	DEFINITION
P.C.P.	Permanent Control Point
P.R.M.	Permanent Reference Monument
P.O.B.	Point of Beginning
P.C.	Point of Curvature
P.T.	Point of Tangency
P.R.C.	Point of Reverse Curvature
P.I.	Point of Intersection
R/W	Right of Way
O.R.	Official Records Volume
D.B.	Deed Book
Pg.	page
B.R.L.	Building Restriction Line
Esm	Easement
L.B.	Licensed Business
R.E.S.	Registered Surveyor
V.E.A.	Vehicle Electric Authority
EQUIP	Equipment
A/C	Air Conditioner
C.A.T.V.	Cable Television
O.H.L.	Overhead Lines
(C.M.)	Field Measured
R=	Radius equals
L=	arc Length equals
Ch.=	Chord Bearing & Distance equals
I.P.	Delta or Central Angle equals
Conc.	Iron Pipe Concrete

LEGEND
 DENOTES CONCRETE MONUMENT
 DENOTES FENCE WITH CAP, L.B. No. 8295
 DENOTES IRON PIPE FOUND (AS NOTED)

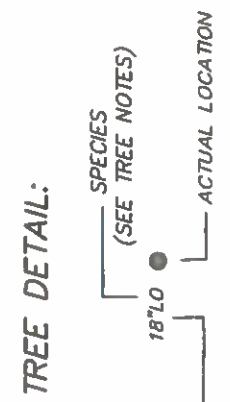
DATE 4-29-20
SCALE 1"=30'
JOB No. 2018-222-2
F.B. 1430
page 72
Comp. File 18-222.dwg
Drawn by DEW

RICHARD A. MILLER & ASSOCIATES
 PROFESSIONAL LAND SURVEYORS
 11437 CENTRAL PARKWAY, SUITE 107
 JACKSONVILLE, FLORIDA 32224
 L.B. No. 8295
 Tele. (904) 721-1226

THIS IS TO CERTIFY THAT THIS SURVEY IS A TRUE REPRESENTATION OF AN ACTUAL SURVEY AND IS ACCORDANCE WITH THE MANUAL TECHNICAL STANDARDS AS OUTLINED AND SET FORTH BY THE FLORIDA BOARD OF PROFESSIONAL LAND SURVEYORS AND MAPPERS, IN CHAPTER 5J-17, (formerly CHAPTER 61G17-6), FLORIDA ADMINISTRATIVE CODE, PURSUANT TO SECTION 472.027, FLORIDA STATUTES.

BY: **WILLIAM J. MELROSE, STATE OF FLORIDA, REGISTERED LAND SURVEYOR, CERTIFICATE No. 5843**

TREE NOTE:
 THE SURVEYOR CERTIFIES ONLY TO THE SIZE AND LOCATION OF ALL TREES SHOWN HEREON. HOWEVER, THE SURVEYOR DOES NOT CERTIFY TO THE EXACT SPECIES OF ANY TREE SHOWN HEREON AS THIS IS OUTSIDE THE SURVEYOR'S AREA OF EXPERTISE.



*Monument sign
 10' setback min.*

B L O C K 3

RE	LNAME	LNAME2	MAIL_ADDR1	MAIL_ADDR2	MAIL_CITY	MAIL_MAIL_ZIP
080461 0000	SUSSMAN HERBERT T		1314 LASALLE ST		JACKSONVILLE FL	32207
081961 0000	GROW ALLISON		1706 NALDO AV		JACKSONVILLE FL	32207
081954 0000	ONEAL HELEN		1635 NALDO AVE		JACKSONVILLE FL	32207-3135
080457 0010	VYSTAR CREDIT UNION		1919 BLANDING BLVD		JACKSONVILLE FL	32210
081977 0000	HARRIS ROBERT M TRUST		1837 HENDRICKS AVE		JACKSONVILLE FL	32207-3303
080545 0000	FITZPATRICK PHILIP ET AL		1568 NALDO AVE		JACKSONVILLE FL	32207
081973 0000	COLLE LAUREN KAY		1717 FLAGLER AVE		JACKSONVILLE FL	32207
080544 0000	JACKSONVILLE HOUSING AUTHORITY		1300 BROAD ST		JACKSONVILLE FL	32202-3996
081983 0000	CLL REALTY CAPITAL LLC		3015 FRONT RD		JACKSONVILLE FL	32257
081953 0000	1643 NALDO AVENUE LLC		1643 NALDO AVE		JACKSONVILLE FL	32207
081959 0000	PHILLIPS AARON D ET AL		1646 NALDO AVE		JACKSONVILLE FL	32207
080567 0000	ENGLISH KATHARINA MARSHALL		1552 FLAGLER AVE		JACKSONVILLE FL	32207-3106
081963 0000	LUKIC DUSAN		1720 NALDO AVE		JACKSONVILLE FL	32207
080568 0000	BONNIE W KING REVOCABLE LIVING TRUST		1705 RIVER OAKS RD		JACKSONVILLE FL	32207-4123
080526 0000	MANGO SHOPPING CENTER LLC		8659 BAYPINE RD STE 304		JACKSONVILLE FL	32256
080525 0000	1538 HENDRICKS AVENUE LLC		1450 SAN MARCO BLVD #3		JACKSONVILLE FL	32207-8551
080552 0000	BOUSTANI BELA		1537 FLAGLER AVE		JACKSONVILLE FL	32207
081962 0000	RAND HAROLD L JR		1710 NALDO AV		JACKSONVILLE FL	32207
080559 0000	BURTON JOHN T		1552 NALDO AVE		JACKSONVILLE FL	32207
080557 0000	MOORE TIMOTHY ET AL		1536 NALDO AVE		JACKSONVILLE FL	32207
081950 0000	HAMILTON ELIZABETH A		4407 MELROSE AVE		JACKSONVILLE FL	32210
081941 0010	RETTNER HENDRICKS REALTY LLC		30 CHURCH ST		NEW ROCHELLE NY	10801
080468 0000	HOLLEY LENORA D		1636 FLAGLER AVE		JACKSONVILLE FL	32207-3120
080528 0000	METHODIST CHURCH TRUSTEE		1415 LA SALLE ST		JACKSONVILLE FL	32207
081971 0000	GHIOTO SYLVIA JEANINE		1725 FLAGLER AVE		JACKSONVILLE FL	32207-3121
080458 0000	SWAIM MEMORIAL METHODIST		CHURCH INC		JACKSONVILLE FL	32207-3136
080543 0000	CARAWAY CHARLES B ET AL		1331 LASALLE ST		JACKSONVILLE FL	32207
081984 0000	THIELE MARK J		P O BOX 40214		JACKSONVILLE FL	32203
081981 0000	BROWN BLAIR SUMMER		1648 FLAGLER AVE		JACKSONVILLE FL	32207
081956 0000	SWAIM MEMORIAL METHODIST		CHURCH		JACKSONVILLE FL	32207-3136
081974 0000	MORENO MARK BRIAN		1715 FLAGLER AVE		JACKSONVILLE FL	32207-3121
081952 0000	1643 NALDO AVENUE LLC		1643 NALDO AVE		JACKSONVILLE FL	32207
080527 0000	HADDAD RALPH		108 TURTLE BAY LN		PONTE VEDRA FL	32082
081943 0000	HARTLEY J LEE		1516 LANDON AVE		JACKSONVILLE FL	32207-8655
080558 0000	CARROLL C BRALEY		948 CARLOTTA RD		JACKSONVILLE FL	32211
081979 0000	KNIGHT SAMMY R		1639 FLAGLER AVE		JACKSONVILLE FL	32207-3119
081982 0000	HALE LINDA H		1656 FLAGLER AVE		JACKSONVILLE FL	32207-3120
081951 0000	1705 NALDO AVENUE LLC		105 EVANS DR		JACKSONVILLE B FL	32250
080550 0000	BONNIE W KING REVOCABLE LIVING TRUST		1705 RIVER OAKS RD		JACKSONVILLE FL	32207-4123
081955 0000	GIST WILLIAM		1972 LARGO PL		JACKSONVILLE FL	32207
080460 0000	SWAIM MEMORIAL METHODIST		CHURCH		JACKSONVILLE FL	32207-3136
080538 0010	MACDOWELL CHRISTOPHER L		4230 ORO PLACE		JACKSONVILLE FL	32207
080538 0020	KREDELL MICHAEL C		10148 FORD RD		BRUCEVILLE FL	32009-1597
081978 0000	COSTIN REA SILVIA		1645 FLAGLER AVE		JACKSONVILLE FL	32207-3119