



**CREATIVE SIGN DESIGNS**  
 12801 Commodity Place  
 Tampa, Florida 33626  
 Phone: 800-804-4809  
 Fax: 813-749-2311  
 www.creativesigndesigns.com

PROJECT:  
**The Avery**  
 Signage Package

SITE ADDRESS  
 Jacksonville, FL

Account Manager:  
 Logan Cottingham  
 Project Manager / Project Leader

CRM / Quote:  
**0000-203421**

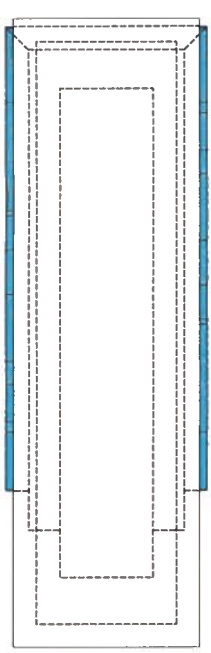
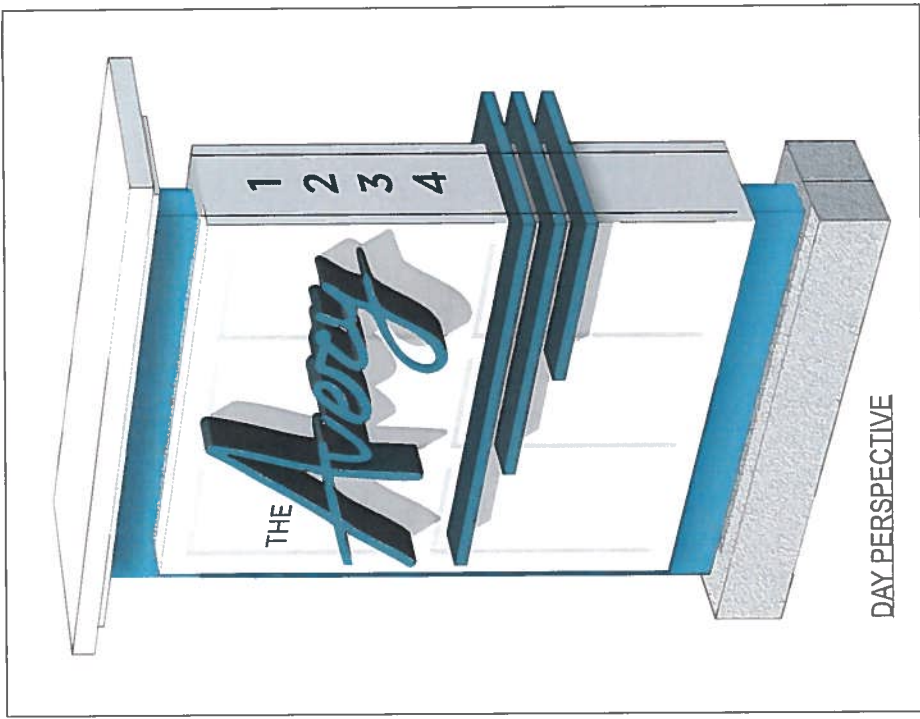
Designer:	Date:
KF/DRB	08-17-2021
No.:	Description:
01	0000017
02	
03	

Approval:  
 Approved  
 Approved as noted  
 Revise and resubmit

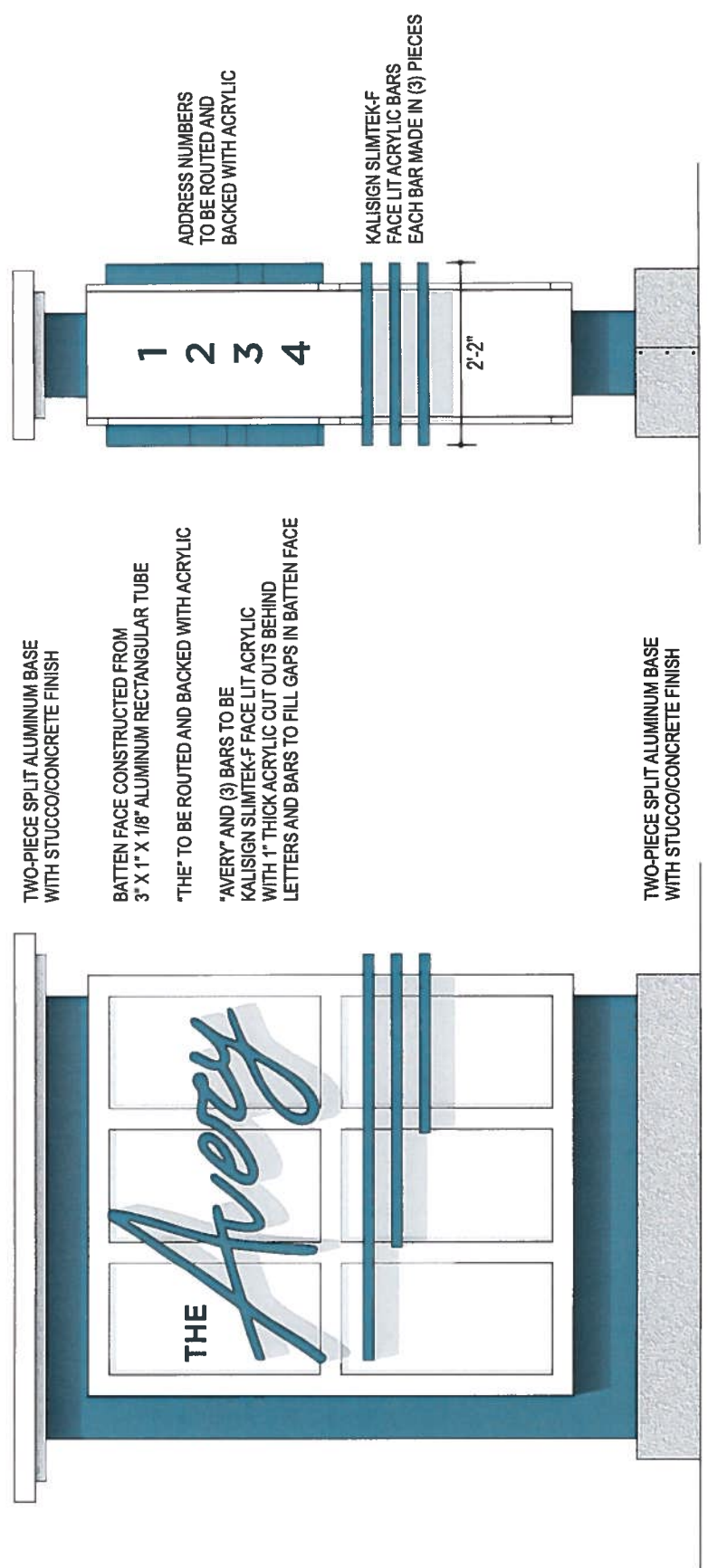
approved: etc.

This Drawing and all reproductions thereof are the property of Creative Sign Designs and may not be reproduced, stored, changed or used in any way without written consent.

Sheet: **2**



TOP VIEW



L-SIDE VIEW

FRONT VIEW

Scale: 1/2"=1'-0"

**D/F Monument Sign with Illuminated Copy / Design Bars**

**MNMT**



12801 Commodity Place  
Tampa, Florida 33626  
Phone: 800-804-4809  
Fax: 813-749-2311  
www.creativesigns.com

PROJECT:  
**The Avery**  
Signage Package

SITE ADDRESS  
Jacksonville, FL

CRM / Quote:  
**0000-203421**

Account Manager:  
Project Manager / Project Leader

Designer: KFD/DRB  
Date: 08-17-2021

No.	Date	Description
01	0000/17	
02		
03		

Approval:  
 Approved  
 Approved as noted  
 Revise and resubmit  
 provided #4:



ALL ELECTRICAL COMPONENTS WILL BE UL 4 ELEC. CODES APPROVED AND LISTED BY MET. THE INSTALLATION OF THE WORK WILL BE DONE AS PER NEC 685.4 AND DESIGNATED TO UL. ALL SIGNAGE TO BE GROUNDING AND BONDED PER NEC 680.1 AND 250.132. ALL ELECTRICAL CONNECTIONS WILL BE PROVIDED PER NEC 680.1. ALL WIRING INSIDE LETTERING WILL BE LOW VOLTAGE UNDER UL SIGN ACCESSORIES MANUAL (SAM) EX204. LISTED AND APPROVED AS PER 2011 NEC 605.3. ALL ELECTRICAL WORK SHALL BE DONE IN ACCORDANCE WITH THE NATIONAL ELECTRICAL CODE (NEC) AND ALL CUSTOMER WITHIN SIX (6) FEET OF SIGN. ALL PRIMARY WIRING SHALL BE FIT WITH 1/2" DIA. HOLES PER NEC 605.4(1) (1) DESIGNATED 20 AMP CIRCUIT PER SIGN PER NEC 605.3

This Drawing and all reproductions thereof are the property of Creative Sign Designs and may not be reproduced, published, or otherwise distributed without written consent.

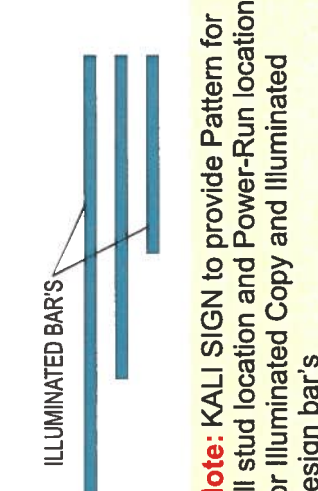
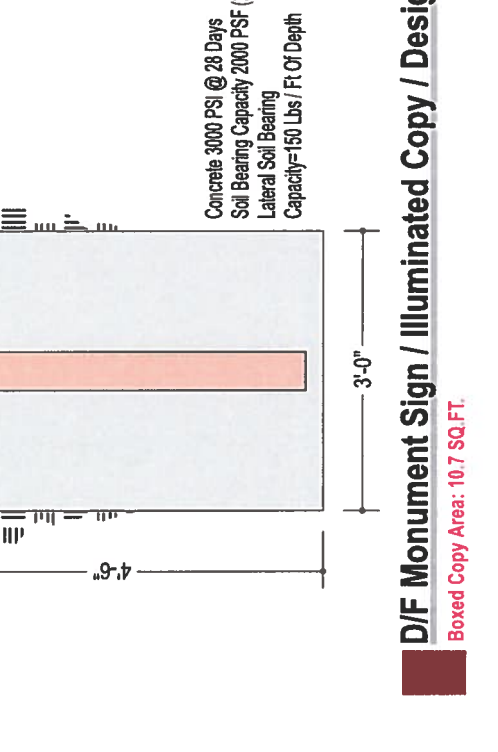
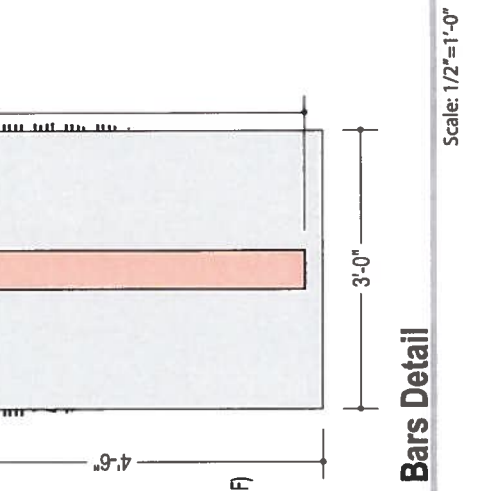
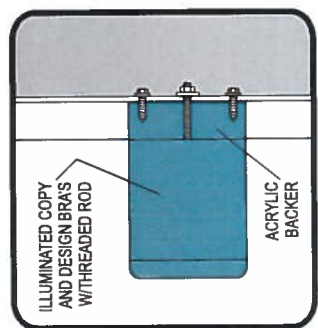
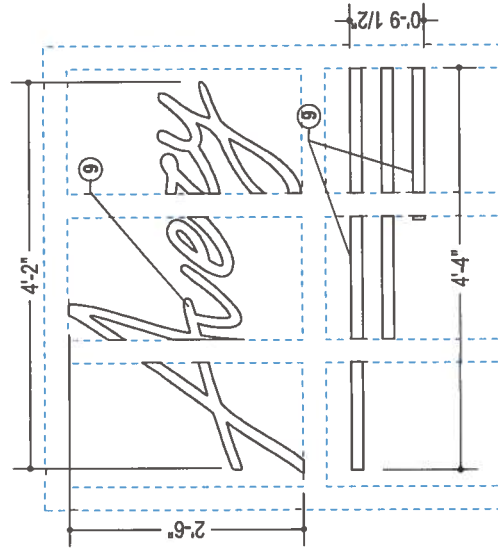
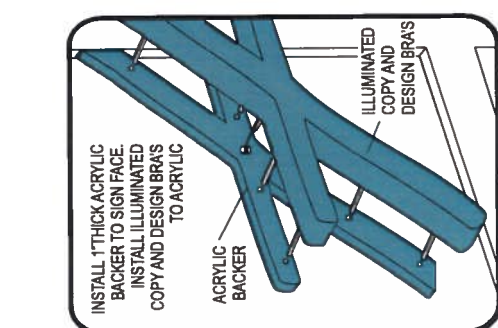
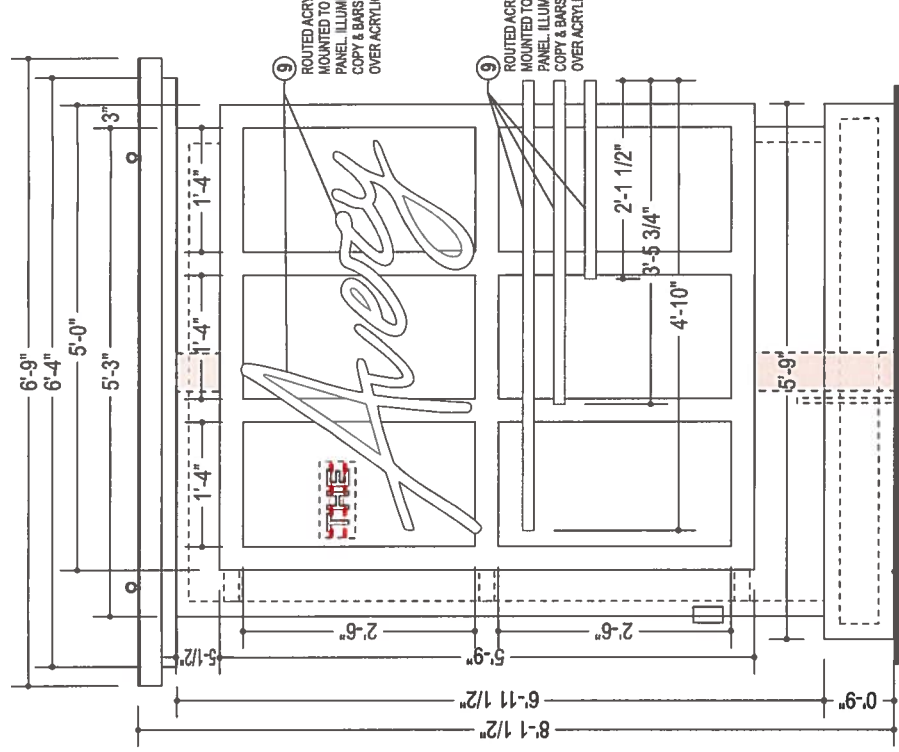
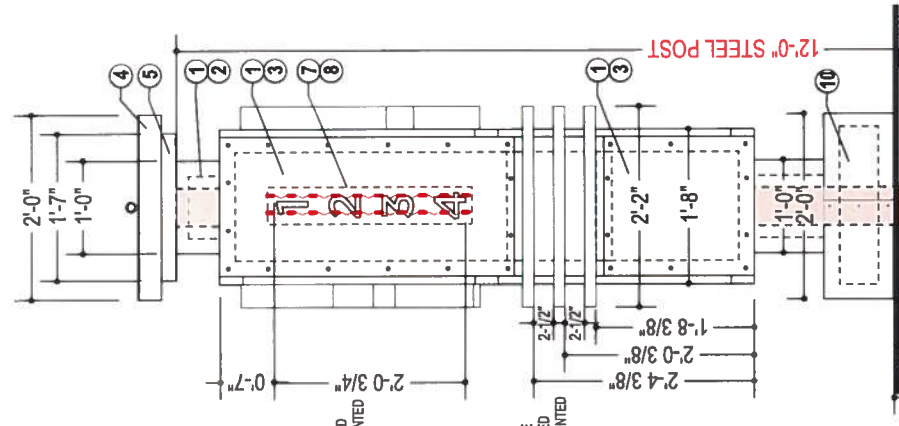
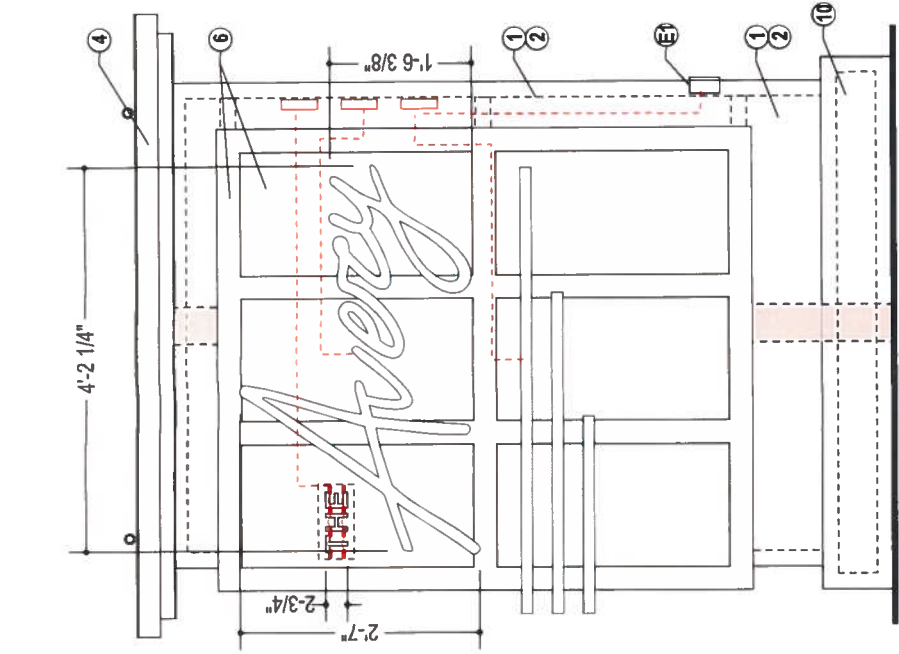
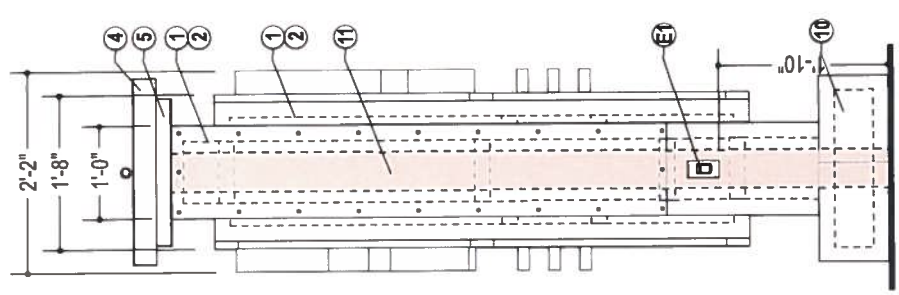
Sheet: **3**

- Production Notes**
- 2" X 2" X 1/8" ALUM. ANGLE INNER FRAME
  - .063" ALUM. FILLER
  - 125" ALUM. FILLER
  - 3" X 3" X 1/8" ALUM. TRIM TOP CAP W/ ALUM. FILLER
  - 2" X 2" X 1/8" ALUM. TRIM TOP CAP W/ ALUM. FILLER
  - 1" X 3" X 1/8" ALUM. WELDED FACE FRAME W/ 125" ALUM. BACKER
  - 1/8" WHITE #7328 ACRYLIC BACKER -FOR COPY/ ADDRESS NUMBERS
  - .063" ALUM. WHITE/WHITE BACKER FOR LED'S
  - ROUTED 1" THICK ACRYLIC BACKER - PAINTED FOR ILLUMINATED COPY & DESIGN BAR'S
  - .080" ALUM. TWO-PART BASE COVER W/ ANGLE FRAME
  - 5/8" DIA. X .258" STEEL SUPPORT PIPE W/ 2" X 2" STEEL ANGLE SADDLE

**Paint Notes:**  
All Painted Surfaces To Have Akzo Nobel Satin Paint  
 P1) MP 56851SP BLUE SMOKE  
 P2) MP 202SP WHITE  
 P3) PMS-COOL GRAY #2 W/ MED-STUCCO FINISH

**Vinyl Notes:**  
V1) 3M TRANSLUCENT FILM-PRINTED TO MATCH MP 56851SP BLUE SMOKE OVER ACRYLIC BACKER  
**KALI SIGN LETTERS/BARS Notes:**  
 Slimtek-F - "Avery"- 31"x50.66"  
 Light effect: Front Light  
 Face: Vinyl/3M 3630 or Avery TF 4500  
 Side: Paint/Satin/(PMS or RAL code)  
 Back: Paint/Satin/(PMS or RAL code)  
 Slimtek-F - lines - 1.5"x58"  
 Light effect: Front Light  
 Face: Vinyl/3M 3630 or Avery TF 4500  
 Side: Paint/Satin/(PMS or RAL code)  
 Back: Paint/Satin/(PMS or RAL code)

**Electrical Notes:**  
NOTE: 120 Volt 20 Amp Primary Electric Circuit Supplied To Site By Buyer  
 E1) Electrical Disconnect Switch Box  
 E2) LED Power Supply  
 E3) White LED  
**L.E.D. Notes:**  
 12 Volt  
 LED Type: Hanley/Phoenix PF-3120  
 Color: White 6500K  
 LED Modules: 28 Per-Side  
 Modules: 28 Per-Side  
 LED Power Source Type: MOD-60 Transformer  
 Volts: 12  
 Watts: 60  
 Power Supply Qty.: 1  
 Amp Input: .90 Ea  
**Total Amp Load: 90 Amps**  
**REQUIRED 120V CIRCUITS: (1) 20 AMP**



**Note: KALI SIGN to provide Pattern for all stud location and Power-Run location for Illuminated Copy and Illuminated design bar's**





12801 Commodity Place  
Tampa, Florida 33626  
Phone: 800-804-4809  
Fax: 813-749-2311  
www.creativesigndesigns.com

PROJECT:  
**The Avery**  
Signage Package

SITE ADDRESS  
Jacksonville, FL

CRM / Quote:  
**0000-203421**

Account Manager:  
Project Manager / Project Leader

Designer: KFDRB  
Date: 08-17-2021

Revision:  
No. Date Description

01	0000017	
02		
03		

Approval:  
 Approved  
 Approved as noted  
 Revise and resubmit  
Approved #:



ALL ELECTRICAL COMPONENTS WILL BE UL LISTED. E-COS  
WARRANTY IS VOID IF THE INSTALLATION OF THE WORKING  
AS PER NEC 604. THE INSTALLATION OF THE WORKING WILL  
BE DONE AS PER NEC 604 AND DESIGNATED TO  
UL. ALL WORKS ARE TO BE GROUNDED AND BONDED  
PER NEC 250.4 AND 250.122.  
PER NEC 700.1 AND 700.122.  
NEC 600.8  
ALL WORKING IN ELECTRICAL WORKING PER  
UNDER UL SIGN ACCESSORIES MANUAL (SAMI) DATA,  
HARDWARE PER NEC 600.10 PER 2011 NEC 603  
PRIMARY ELECTRICAL SOURCE TO BE SUPPLIED BY  
CUSTOMER WITHIN SIX (6) FEET OF SIGN. ALL PRIMARY  
WIRING WILL BE #12 THIN WALL CABLE PER NEC 600.510  
(1) DESIGNATED AMP CIRCUIT PER SIGN PER NEC 600.5

This Drawing and all reproductions thereof are the property of Creative Sign Designs and may not be reproduced, stored, or transmitted in any way without written consent.

Sheet: **4**

**Production Notes**

- 2" X 2" X 1/8" ALUM. ANGLE INNER FRAME
- .063" ALUM. FILLER
- .125" ALUM. FILLER
- 3" X 3" X 1/8" ALUM. TRIM TOP CAP W/ ALUM. FILLER
- 2" X 2" X 1/8" ALUM. TRIM TOP CAP W/ ALUM. FILLER
- 1" X 3" X 1/8" ALUM. WELDED FACE FRAME W/ .125" ALUM. BACKER
- 1/8" WHITE #7328 ACRYLIC BACKER -FOR COPY/ ADDRESS NUMBERS
- .063" ALUM. WHITE/WHITE BACKER FOR LED'S
- ROUTED 1" THICK ACRYLIC BACKER - PAINTED FOR ILLUMINATED COPY & DESIGN BAR'S
- .080" ALUM. TWO-PART BASE COVER W/ ANGLE FRAME
- 5" DIA. X .258" STEEL SUPPORT PIPE W/ 2" X 2" STEEL ANGLE SADDLE

**Paint Notes:**

- All Painted Surfaces To Have Akzo Nobel Satin Paint
- P1) MP 56851SP BLUE SMOKE
- P2) MP 202SP WHITE
- P3) PMS-COOL GRAY #2 W/ MED-STUCCO FINISH

**Vinyl Notes:**

- V1) 3M TRANSLUCENT FILM-PRINTED TO MATCH MP 56851SP BLUE SMOKE OVER ACRYLIC BACKER

**KALI SIGN LETTERS/BARS Notes:**

- Slimtek-F - "Avery" - 31" x 58.66"  
Light effect: Front Light  
Face: Vinyl/3M 3630 or Avery TF 4500  
Side: Paint/Satin/(PMS or RAL code)  
Back: Paint/Satin/(PMS or RAL code)
- Slimtek-F - lines - 1.5" x 58"  
Light effect: Front Light  
Face: Vinyl/3M 3630 or Avery TF 4500  
Side: Paint/Satin/(PMS or RAL code)  
Back: Paint/Satin/(PMS or RAL code)

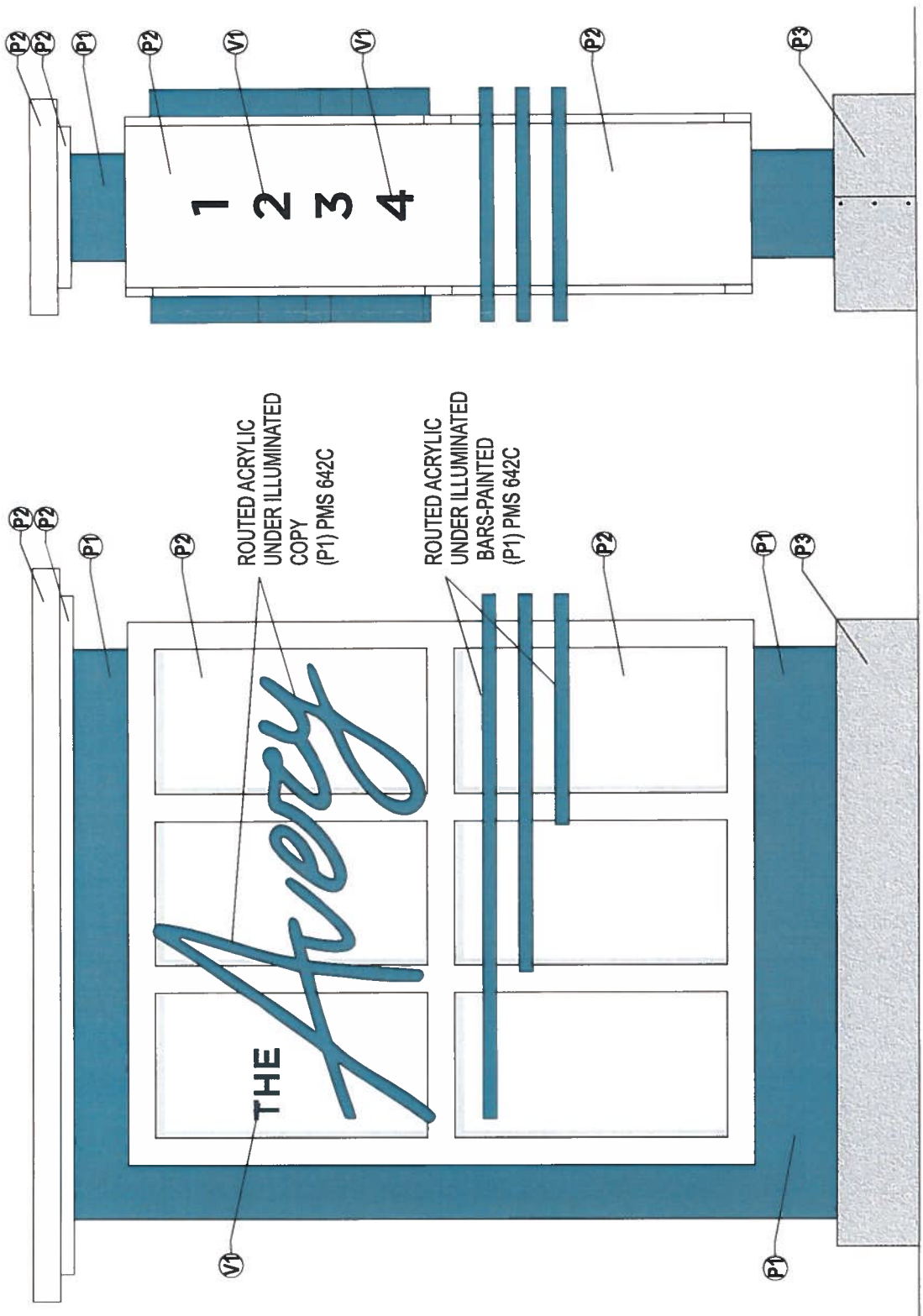
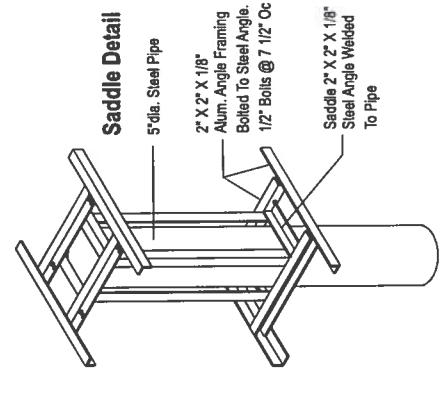
**Electrical Notes:**

NOTE: 120 Volt 20 Amp Primary Electric Circuit Supplied To Site By Buyer

- E1) Electrical Disconnect Switch Box
- E2) LED Power Supply
- E3) White LED

**L.E.D. Notes:**

12 Volt	Color:	White 6500K
LED Type:	Hanley Phoenix PF-3120	Secondary
LED Modules:	Modules: 28 Per-Side	Volts
LED Power Source Type:	MOD-60 Transformer	Watts
Power Supply Qty.:	1	Amp Input: .90 Ea
Total Amp Load: 90 Amps		
REQUIRED 120V CIRCUITS: (1) 20 AMP		



**FRONT VIEW**

**L-SIDE VIEW**