

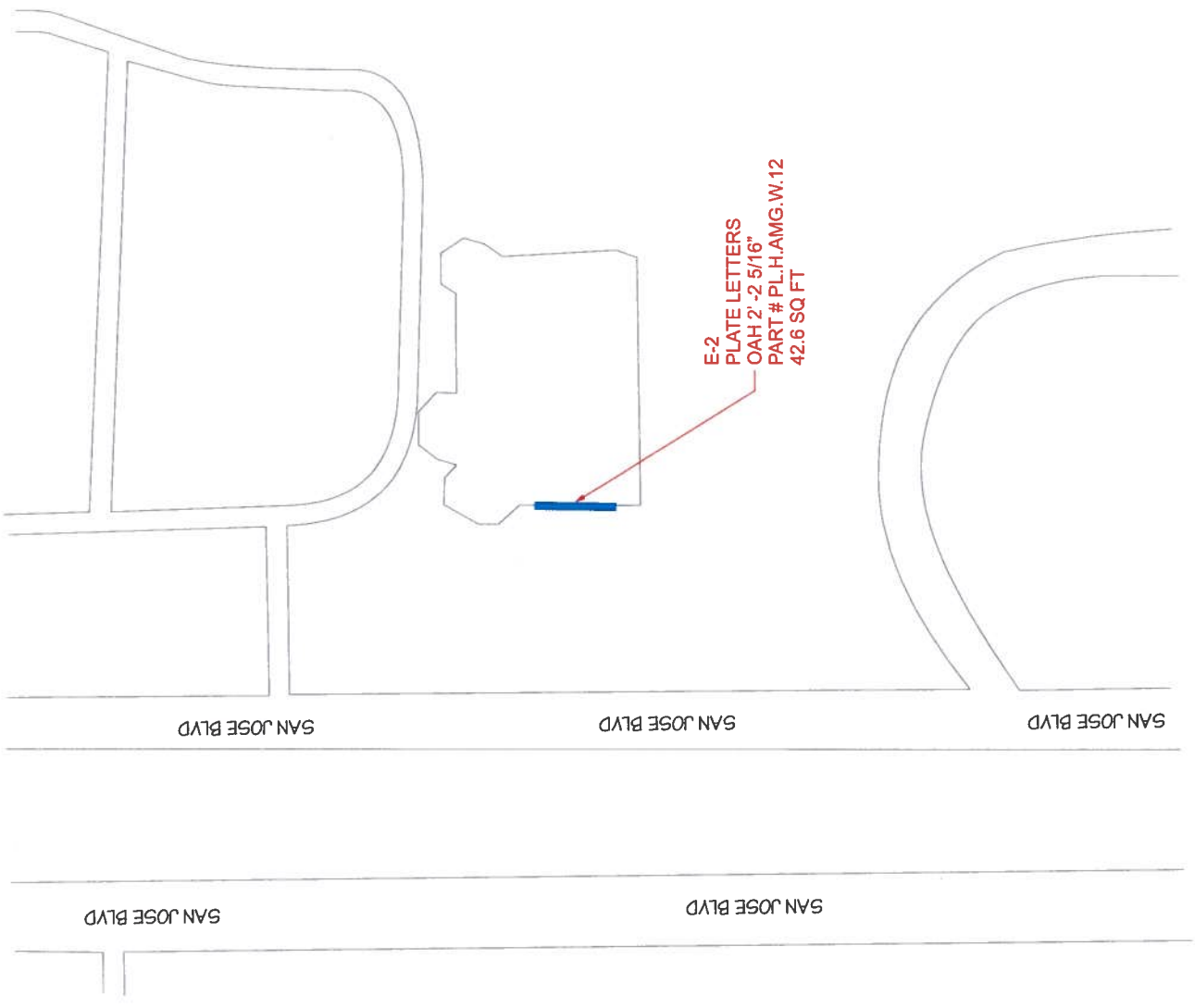


AGI

| | |
|----------------------------|----------------------|
| Project Title ASCENSION | Sign Type VARIOUS |
| SITE MAP / LAYOUT | Date 3.8.19 |
| Drawn By | SITE ID# 7176 |

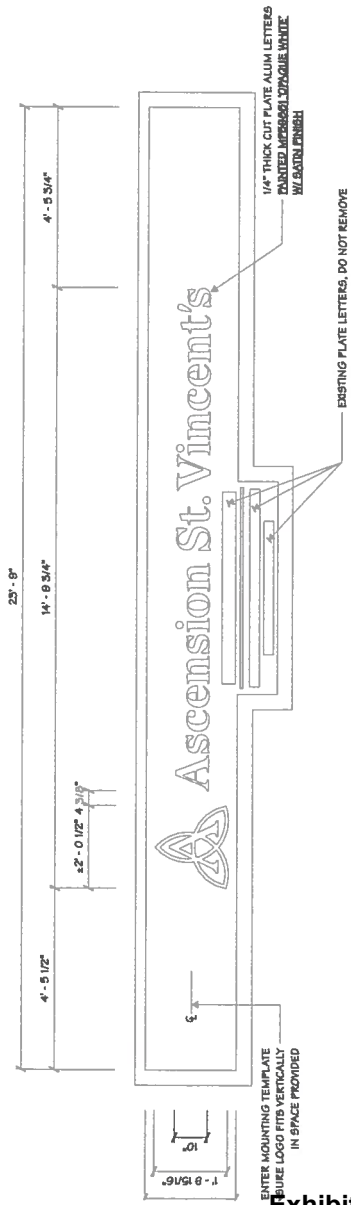
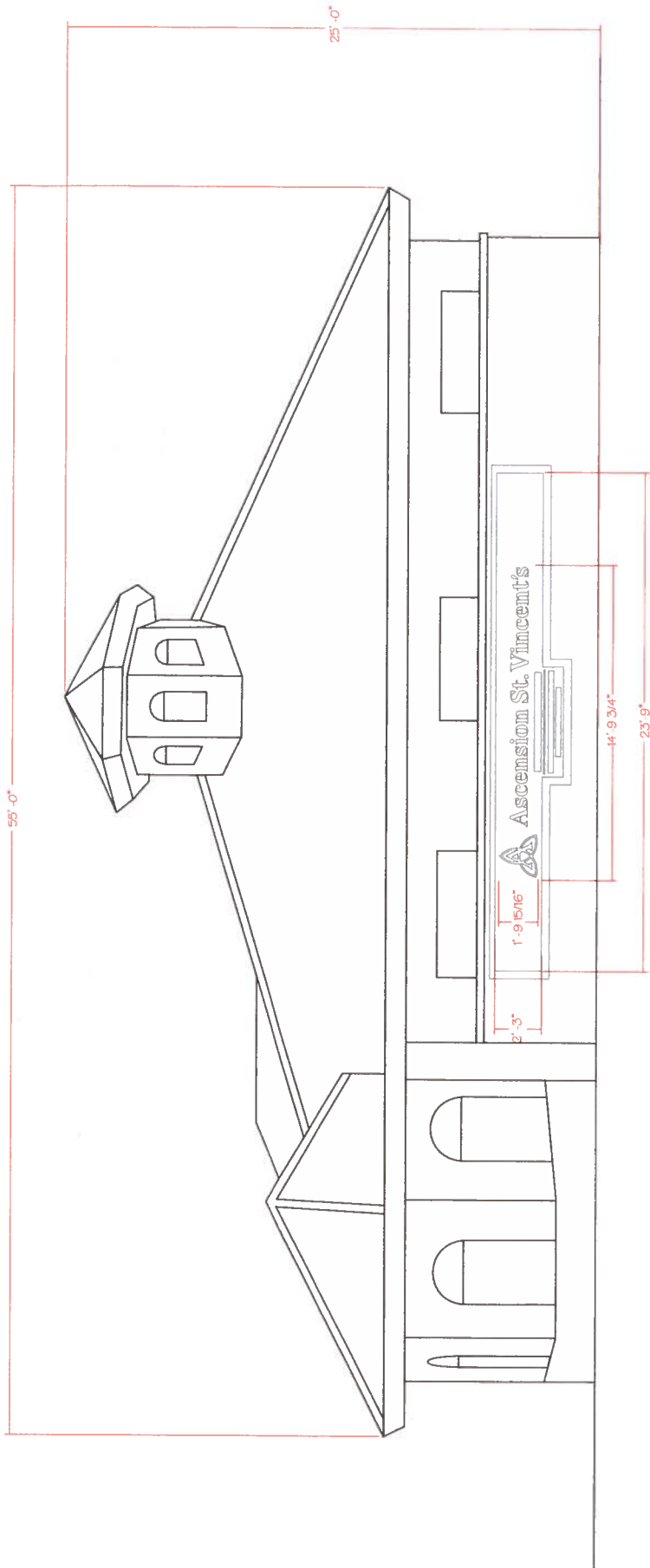
| Drawing Revisions | | |
|-------------------|------|--------|
| Drawn By | Date | Change |
| A | | |
| A | | |
| A | | |
| A | | |

Sheet #
1 OF 1



12311 SAN JOSE BLVD
 JACKSONVILLE, FL 32223

N ↑



| | |
|----------------------------|----------------------|
| Project Title ASCENSION | Sign Type VARIOUS |
| SITE MAP / LAYOUT | Date 10.17.19 |
| Drawn By | SITE ID# 7176 |
| Drawing Revisions | |
| Drawn By | Change |
| | |
| | |
| | |
| | |





Current sign

Proposed sign



Sign Recommendation

| | |
|----------|-------------------------------------|
| Sign | Dimensional letters; Plate letters |
| Type | Front of building facing the street |
| Location | Plate |
| Material | 2'-0" |
| Size | 19'-5" |
| Height | 1'-3" |
| Color | Replace |

27

E-;

1/4" F.C.O. ALUMINUM
 13 3/4" P, 10 3/4" I
 WHITE, STUD MOUNT



BUILDING 55" WIDE
 9" 2" TO TOP CORNER

Recommended
NICAL SURVEY IS REQUIRED PRIOR TO SIGN MANUFACTURING

| | |
|----------|------------------|
| Color | Plate Letters |
| Code | PL-H-ANG-W-12 |
| Height | 1' |
| Mount | Fasteners Behind |
| Material | None |
| Sign | 2'-0" x 16" |
| | 19'-5" x 9" |

Recommended

Recommended - Side A